

Hydrogen Production via Methane Steam Reforming Process

Mehrdad Najafi

Master Student in Sharif University of Technology

najafi.mehrdad@che.sharif.edu

Received: November 2020

Accepted: December 2020

Abstract

Renewable energy is generally defined as energy that is collected from renewable resources such as wind, sunlight, rain, waves, and geothermal heat. Hydrogen is produced using a number of non-renewable and renewable resources such as fossil fuels and biomass. The other feedstock for hydrogen is water in electrolysis process. Microorganisms such as bacteria and algae can produce hydrogen through biological processes.

Hydrogen is produced in some processes as a byproduct. In some processes, the produced hydrogen along with other by-products is sent to flare; however, it can be processed as an energy resource. In this paper, hydrogen production via Methane steam reforming process is investigated. The simulation results show that separation of produced hydrogen provides a significant energy source for mentioned chemical reaction.

Keywords: Renewable Energy, Hydrogen production, Methane steam reforming

1- INTRODUCTION

The main part of energy demand in the world is provided by fossil fuels. The main challenge of fossil fuels is reducing the oil and gas reservoirs along with increasing the carbon dioxide in the environment. Hydrogen as a green energy with high efficiency is one of the best alternatives for fossil fuels [1]. Hydrogen is a carbon free fuel with higher energy content than hydrocarbons which is extensively used in fuel cells [2]. The main advantage of hydrogen is its flexibility for using in automotive engines and power plants [3]. The main part of required hydrogen in the world is produced by hydrocarbons reforming. The other method for hydrogen production is water electrolysis [4]. Hydrogen is produced during some chemical reactions as a byproduct. One these reactions is Methane steam reforming process. This process is performed over copper based catalyst such as Cu/Cr₂O₃ [5,6,7], Cu/SiO₂ [8,9], and Cu/ZnO/Al₂O₃ [10]. In addition carbide and tungsten based catalysts also are used in this process.

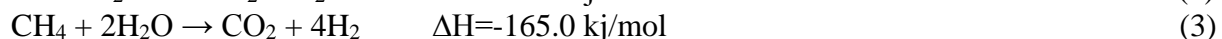
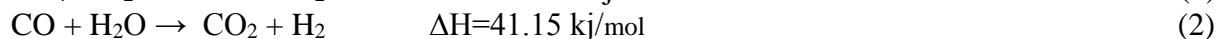
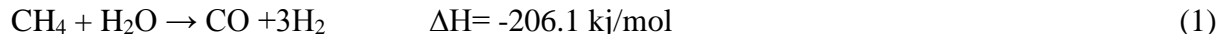
In this paper feasibility of Hydrogen production in Methane steam reforming process is investigated.

Archiv2- PROCESS DESCRIPTION

Steam reforming of methane ¹ is an important industrial process for hydrogen production. Despite its effectiveness for meeting current hydrogen demands, the energy intensive nature of SRM deviates from current awareness and efforts in improving the sustainability of industrial processes. One possible approach to overcome the high energy consumption would be to lower the operating temperatures of the SRM process while maintaining reasonable conversions [11]. The higher degree of endothermicity of the process makes it operate at high temperature conditions. In industrial SMR processes, water gas shift reactors are needed downstream of the reformer to convert the undesired CO into CO₂ and H₂ product. Later on, amine scrubbing or pressure swing adsorption ² process is required to achieve the higher purity of H₂ [12]. To address the issue of global warming, researchers developed the concept of combining the reforming process with in-situ CO₂ separation. This process was named sorption enhanced steam methane reforming ³ process [13-15]. The addition of sorbent (CO₂ acceptor) along with the catalyst promotes the performance of the reforming process not only by shifting the reactions towards more H₂ production but also in terms of purity of H₂ (CO₂ free product), as well as suppressing equilibrium solid carbon by-product and permitting both lower temperatures of operations and steam demand [16]. The system Methane Steam Reforming / Water Gas Shift appears as a simple model. Few species are involved as reactants – Steam and Methane – and the products are only Carbon Monoxide (which can react with steam), Carbon Dioxide and Hydrogen.

However, multiple side reactions are in fact involved in the whole process and the kinetic associated to the system becomes difficult to use. The reactions impose a complexity of the system representation such as adsorption, carbon formation, and side reactions. From these different reactions, multiple species should be added in the process model.

These three reactions represent the methane steam reforming, the water-gas shift and the methanation:



We can see how the third reaction is the direct sum of the two previous one. This would be pushing us to eliminate it from our model. However, this set of reaction has been found from an intensive research from Xu and Froment (1989), and we will keep the reactions as they have been exposed. A schematic of Methane steam reforming process is illustrated in Figure 1. The simulation is performed by Aspen-HYSYS 7.3. The Peng-Robinson equation of state is used for determination of thermodynamic properties of materials.

¹. SRM

². PSA

³. SE-SMR

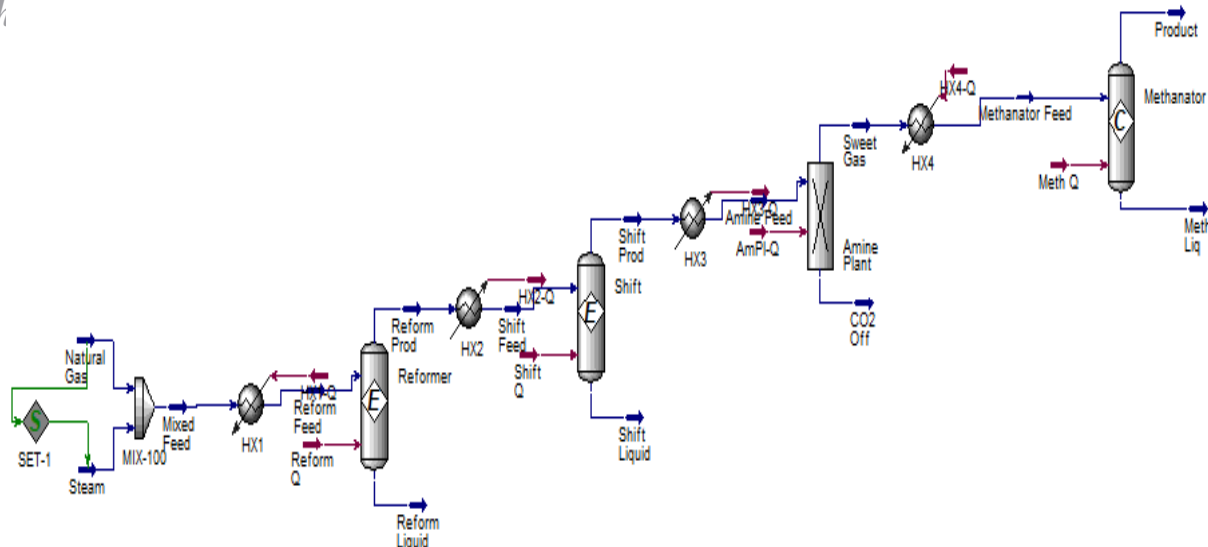


Figure 1- Schematic of Methane steam reforming process

3- KINETIC MODEL

Kinetic of methane steam reforming process in presence of Cu/ Al₂O₃ catalyst is presented as following [17]:

$$K = K_{CO} \cdot P_{CO} + K_{H_2} \cdot P_{H_2} + K_{CH_4} \cdot P_{CH_4} + K_{H_2O} \cdot \frac{P_{H_2O}}{P_{H_2}} \quad (4)$$

$$r_1 = \frac{k_1}{P_{H_2}^{2.5}} \left(P_{CH_4} \cdot P_{H_2O} - \frac{P_{H_2}^3 \cdot P_{CO}}{K_1} \right) / K^2 \quad (5)$$

$$r_2 = \frac{k_1}{P_{H_2}} \left(P_{CO} \cdot P_{H_2O} - \frac{P_{H_2} \cdot P_{CO_2}}{K_2} \right) / K^2 \quad (6)$$

$$r_3 = \frac{k_1}{P_{H_2}^{3.5}} \left(P_{CH_4} \cdot P_{H_2O}^2 - \frac{P_{H_2}^4 \cdot P_{CO_2}}{K_3} \right) / K^2 \quad (7)$$

Where, P_{H₂}, P_{H₂O}, P_{CH₄} and P_{CO₂} are partial pressure of Hydrogen, Water, Methane and Carbon dioxide, respectively. Furthermore, K₁, K₂ and K₃ are Arrhenius constants that for these reactions are given as following:

$$k_1 = k_{1,0} \cdot \exp \left(\frac{E_1}{R} \cdot \left(\frac{1}{T_{ref}} - \frac{1}{T} \right) \right) \quad (8)$$

$$k_2 = k_{2,0} \cdot \exp \left(\frac{E_2}{R} \cdot \left(\frac{1}{T_{ref}} - \frac{1}{T} \right) \right) \quad (9)$$

$$k_3 = k_{3,0} \cdot \exp \left(\frac{E_3}{R} \cdot \left(\frac{1}{T_{ref}} - \frac{1}{T} \right) \right) \quad (10)$$

Where, k_{1,0}, k_{2,0} and k_{3,0} pre-exponential factor and E₁, E₂ and E₃ activation energy are presented in Table 1.

Table 1- Reactions constants in methane steam reforming

Reaction 1	$K_{1,0}$	1.8e-4	$[kmol \cdot bar^{0.5} / (kg_{cat} \cdot h)]$
	E	240.1	$[KJ/mol]$
Reaction2	$K_{2,0}$	7.6	$[kmol / (bar \cdot kg_{cat} \cdot h)]$
	E	67.1	$[KJ/mol]$
Reaction3	$K_{3,0}$	2.2e-5	$[kmol \cdot bar^{0.5} / (kg_{cat} \cdot h)]$
	E	243.9	$[KJ/mol]$

4- RESULTS AND DISCUSSION

Figure 2 illustrated Reform and Hydrogen production as a function of pressure of natural gas. It is shown that by increasing the pressure, Reform and hydrogen production decreases to pressure of 140 kPa. After pressure of 140 kPa, Reform and Hydrogen production is independent of pressure, thus the optimum pressure of natural gas is selected as 67 kPa.

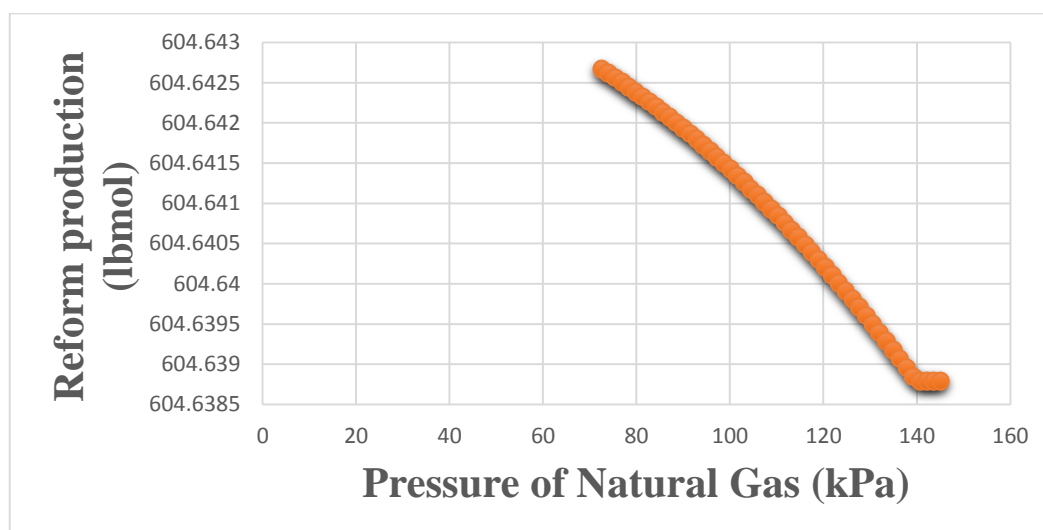


Figure2- Pressure of Natural Gas effect on the Reform and Hydrogen production

Figure 3 illustrated Reform and Hydrogen production as a function of temperature of natural gas. It is shown that by increasing the temperature, Reform and hydrogen production does not change. Therefore, it can be concluded reform and hydrogen production is independent of temperature.

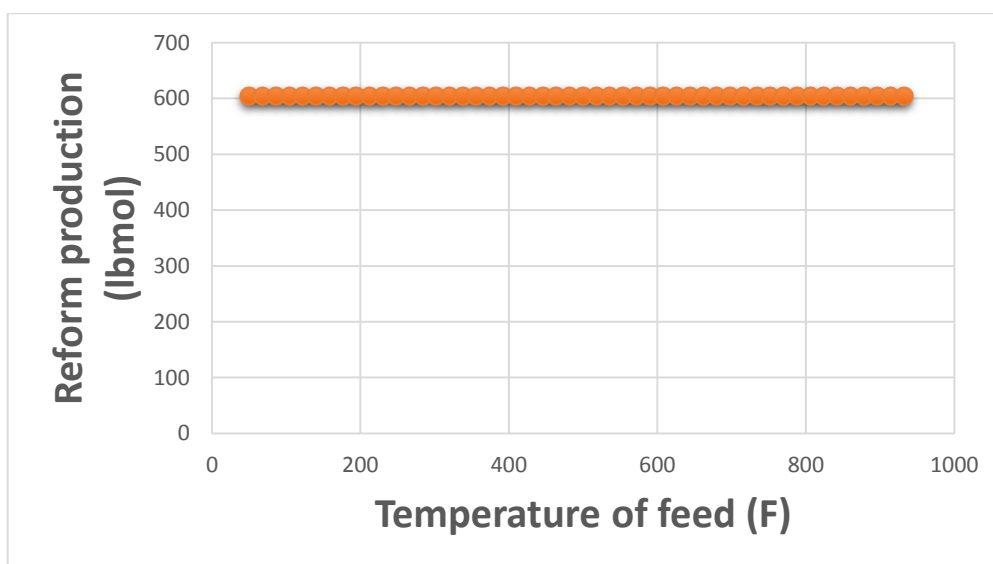


Figure 3- Temperature of Natural Gas effect on the Reform and Hydrogen production

Archiv5- CONCLUSIONS

In this paper the hydrogen production during methane steam reforming is investigated. It is shown that the hydrogen value is significant as a byproduct. In practice, the produced hydrogen after separation from mixture is sent to flare; however, it is shown that it can be recovered and processed as a renewable and very clean energy.

6- REFERENCES

1. Balat, Havva, Kirtay, Elif, "Hydrogen from biomass - Present scenario and future prospects", hydrogen energy, 2010.
2. IK, Kapdan, F, Kargi, "Bio-hydrogen production from waste materials", Enzym Micro Tech 2006.
3. Sikander, Umair, Hussain, Arshad, "Experimental and Simulation Analysis of Hydrogen Production by Partial Oxidation of Methanol", J.Chem.Soc.Pak., Vol. 36, 2014.
4. Psara, N, van Sint Annaland, M, Gallucci, F, "Hydrogen safety risk assessment methodology applied to a fluidized bed membrane reactor for autothermal reforming of natural gas", Int. J. Hydrogen Energ, 2015.
5. Goosheneshin, A, Maleki, R, Iranshahi, D, Rahimpour, M. R, Jahanmiri, A, "Simultaneous production and utilization of methanol for methyl formate synthesis in a looped heat exchanger reactor configuration" , Gas Chemistry 2012.
6. Shreiber, Eric H, Roberts, George W, "Methanol dehydrogenation in a slurry reactor: evaluation of copper chromite and iron/titanium catalysts", Applied Catalysis B: Environmental, 2000.
7. Huang, X, Cant, N.W, Wainwright, M.S, Ma, L, "The Trading Zone Communication of Scientific Knowledge: An Examination of Jesuit Science in China (1582–1773)", Science in Context, Volume 18, Issue 03, 2005.
8. Minyukova, T.P, Simentsova, I.I, Khasin, A.V, Shtertser, N.V, Baronskaya, N.A, Khassin, A.A, Yurieva, T.M, "Dehydrogenation of methanol over copper-containing catalysts", Applied Catalysis A: General, 2002.
9. Zhang, Rong, Sun, Yuhan, Peng, Shaoyi, " In situ FTIR studies of methanol adsorption and dehydrogenation over Cu/SiO₂ catalyst", fuel, 2002.
10. Byron Smith R.J. and L. Muruganandam, CFD based optimization of Water Gas Shift Membrane Reactor. International Journal of ChemTech Research CODEN (USA): IJCRGG ISSN: 0974-4290.
11. J.R. Rostrup-Nielsen, J. Sehested, J.K. Norskov, Hydrogen and synthesis gas by steam- and CO₂ reforming, in: B.C. Gates, H. Knözinger (Eds.), Adv. Catal., Academic Press, 2002: p. 65.
12. S.Z. Abbas, V. Dupont, T. Mahmud, "Modelling of high purity H₂ production via sorption enhanced chemical looping steam reforming of methane in a packed bed reactor ", Fuel 202 (2017) 271–286.
13. Bartholomew CH, Farrauto RJ. Fundamentals of industrial catalytic processes. John Wiley & Sons; 2011.
14. Xiu G-H, Li P, Rodrigues AE. Sorption-enhanced reaction process with reactive regeneration. Chem Eng Sci 2002; 57:3893–908.
15. Harrison DP. Sorption-enhanced hydrogen production: a review. Ind Eng Chem Res 2008; 47:6486–501.
16. Dou B, Dupont V, Rickett G, Blakeman N, Williams PT, Chen H, et al. Hydrogen production by sorption-enhanced steam reforming of glycerol. Bioresour Technol 2009;100:3540–7.
17. Fausto Galluci, Luca Paturzo, Angelo Basile; International Journal of Hydrogen Energy, 29 (2004) 611-617.