

Development and evaluation of biodiesel fuel and byproducts from jatropha oil

G. El Diwani, *N. K. Attia, S. I. Hawash

Chemical Engineering and Pilot Plant Department, National Research Center, Dokki, Egypt

Received 18 June 2008; revised 9 October 2008; accepted 5 February 2009; available online 1 March 2009

ABSTRACT: Biodiesel is an environmentally friend renewable diesel fuel alternative. Jatropha seeds can be a feedstock to produce a valuable amount of oil to be converted to biodiesel using transesterification reaction. Jatropha plant has been successfully grown in southern Egypt using primary treated municipal wastewater for its irrigation. A bench scale production of biodiesel from Jatropha oil (using methyl alcohol and NaOH as catalyst) was developed with methyl esters yield of 98 %. Biodiesel was produced on a pilot scale based on the bench scale experiment results with almost the same methyl esters yield of 98 %. The produced biodiesel was evaluated as a fuel and compared with petroleum diesel according to its physical and chemical parameters such as viscosity, flash point, pour point, cloud point, carbon residue, acid value and calorific value. The experimental techniques and product evaluation results show that such properties of the produced biodiesel are near to that of petroleum diesel. A mass balance representing the transesterification process is presented in this study. Glycerol of 85 % purity was produced and evaluated as a valuable byproduct of the process. Free fatty acids and sodium phosphate salts which have industrial interesting are also produced and evaluated.

Keywords: *Transesterification, biofuel glycerol, methanolysis, fatty acids, pilot plant*

INTRODUCTION

According to the environmental worries and the consumption of non-renewable natural energy resources, developing alternative resources of energy as a substitute of traditional fossil fuels has been risen. Biodiesel is among those alternatives and it is defined as an alternative fuel for diesel engines produced by chemically reacting a vegetable oil or animal fat with an alcohol such as methanol or mono-alkyl esters of long chain fatty acids derived from a renewable lipid feed stock, such as vegetable oil or animal fat (Ma and Hanna, 1999; Van Gerpen, 2005; Wang *et al.*, 2006).

Vegetable oils were proposed as diesel fuels as they are widely available from a variety of sources and they are renewable (Boehman, 2005; Wan Nik *et al.*, 2005). On the other hand, they were found to be problematic due to their greater viscosity which affecting piston, injector deposits and oil thickening (Baldwin *et al.*, 1982; Fuls *et al.*, 1984; Peterson *et al.*, 1983; Ryan *et al.*, 1984; Van Der Wat and Hugo, 1982). Conversion of the oils to their alkyl esters reduced the viscosity to near the diesel fuel levels and produced a fuel with properties that were similar to petroleum based diesel

fuel and which could be used in existing engines without modifications.

The main advantages of using biodiesel fuels as 100 % methyl or ethyl esters of vegetable oil and animal fat or biodiesel blends (up to 20 % blend to the diesel fuel) are producing less smoke and particulates, having higher cetane numbers and producing lower carbon monoxide and hydrocarbon emissions (Antolin *et al.*, 2002; Encinar *et al.*, 2007). They also present some technical challenges such as low volatility, high pour and cloud points and cold filter plugging temperature. They contain essentially no sulfur; therefore, greatly reduce sulfur dioxide emissions from diesel vehicles (Alptekin and Canakci, 2008; Saifuddin and Chua, 2004; Vicente *et al.*, 2004).

As an alternative to diesel fuel, biodiesel must be technically feasible, economically competitive, environmentally acceptable and readily available. Nowadays, biodiesel fuel is used in public traffic for performing farm engines, lighting and heating of rooms in specific conditions (Haas, 2005; Schlautman *et al.*, 1986; Tomasevic and Siler Marinkove, 2003). However, biodiesel cost is higher than the oil-derived diesel due to the cost of virgin vegetable oil. Therefore, it is

*Corresponding Author Email: nahed_attia@yahoo.com
Tel./Fax: +2 02 016 2530 561

necessary to explore ways to reduce production cost of biodiesel. Minimizing the cost of raw materials is a special interest. There are a number of non-edible tree-based oil seeds available (Kayasiri *et al.*, 1996; Phan and Phan, 2008) in many countries around the world. *Jatropha* (*Jatropha Curcas*) is one of such non-edible oils cultivated in southern Egypt and irrigated with primary treated municipal wastewater. Using this non-edible oil for making biodiesel has a great opportunity of making it economically feasible (Tiwarei *et al.*, 2007). In addition, it helps in reducing the cost of advancing wastewater treatment.

Biodiesel produced by transesterification reaction can be catalyzed with alkali, acid or enzyme. Chemical catalyst processes, including alkali and acid ones are more practical compared with the enzymatic method. Alkali process can achieve high purity and yield of biodiesel product in a short time (Dorado *et al.*, 2004; Meher *et al.*, 2006 a; Tiwarei *et al.*, 2007). Methyl or ethyl esters are the product of transesterification of vegetable oils with alcohol (methanol / ethanol) using an alkaline catalyst. In addition, the process yields glycerol which has great applications in the pharmaceutical, food and plastics industries (Bouaid *et al.*, 2005; Meher *et al.*, 2006 b; Srivastava and Prasad, 2000). The purpose of this work is to study the development of biodiesel process at pilot plant scale using *jatropha* oil as the raw material with methanol and sodium hydroxide as the catalyst and evaluate the produced biodiesel as a fuel. This study has been carried out in National Research Center in Egypt during winter 2007.

MATERIALS AND METHODS

Materials

Jatropha oil used for the production of biodiesel on both bench and pilot scales by base catalyst transesterification was extracted at the National Research Center, Egypt. The oil composition and properties are reported in Table (1). Methanol of 99.8 % analytical reagent was used. The catalyst was sodium hydroxide purified pellets of 97 % minimum assay.

Table 1: Fatty acids composition of used *jatropha* oil

Fatty acid	Composition (wt. %)
Palmitic (16:0)	18.22
Stearic (18:0)	5.14
Oleic (18:1)	28.46
Linoleic (18:2)	48.18
Avg. M. wt.	874

Analytical methods

Fatty acids composition of the used *jatropha* oil was determined using gas liquid chromatographic analysis of the oil ethyl esters. Modification of the oil to its ethyl esters was made using 2 % H_2SO_4 as catalyst in the presence of dry ethyl alcohol in excess. The chromatographic analysis was made using Hewlett Packard Model 6890 Chromatograph. A capillary column 30 m length and 530 μm inner diameter packed with Apiezon[®] was used. Detector temperature, injection temperature and the column temperature were 280 °C, 300 °C and 100 to 240 °C at 15 °C/min, respectively. Purity of glycerol was determined using the HPLC Shimadzu LC 10 with a refractive index detector. The used column was Shim-Pack SCR-10N (7.9 mm X 30cm) (Shimadzu column). The mobile phase was water with flow rate of 0.5 mL/min at 50 °C.

Biodiesel properties such as viscosity (Knothe and Steidley, 2005), flash point, pour point, cloud point, carbon residue, acid value and calorific value were carried out by Petroleum Institute at Egypt using ASTM standard methods.

Bench scale experiment

Biodiesel was produced based on bench scale by transesterification of *jatropha* oil according to the optimum reaction conditions obtained from laboratory study with maximum yield of 98 % of methyl esters. Transesterification of 2 kg of *jatropha* oil was carried out in 4 L round flask placed in an adjusted temperature water bath. The reaction was performed using 6:1 molar ratio of alcohol to oil and catalyst concentration of 1 % by weight of the oil at 65 °C under reflux condenser with mechanical stirrer as illustrated in Fig. 1. After one hour reaction time, the reaction mixture was carefully transferred to a suitable separating funnel. Two layers were separated after about 6 h; the upper layer is methyl esters and the lower one is the glycerol containing layer.

Pilot scale process

Transesterification of 100 L *jatropha* oil was carried out on the pilot scale with the same chemical conditions used in the bench scale experiment. The reaction was carried out in an enameled reactor of 150 L capacity equipped with an anchor stirrer and provided with temperature, pressure and stirring speed controllers. *Jatropha* oil was loaded to the reactor and preheated. The solution of the methanol and sodium hydroxide was prepared and added to the reactor. The reactants

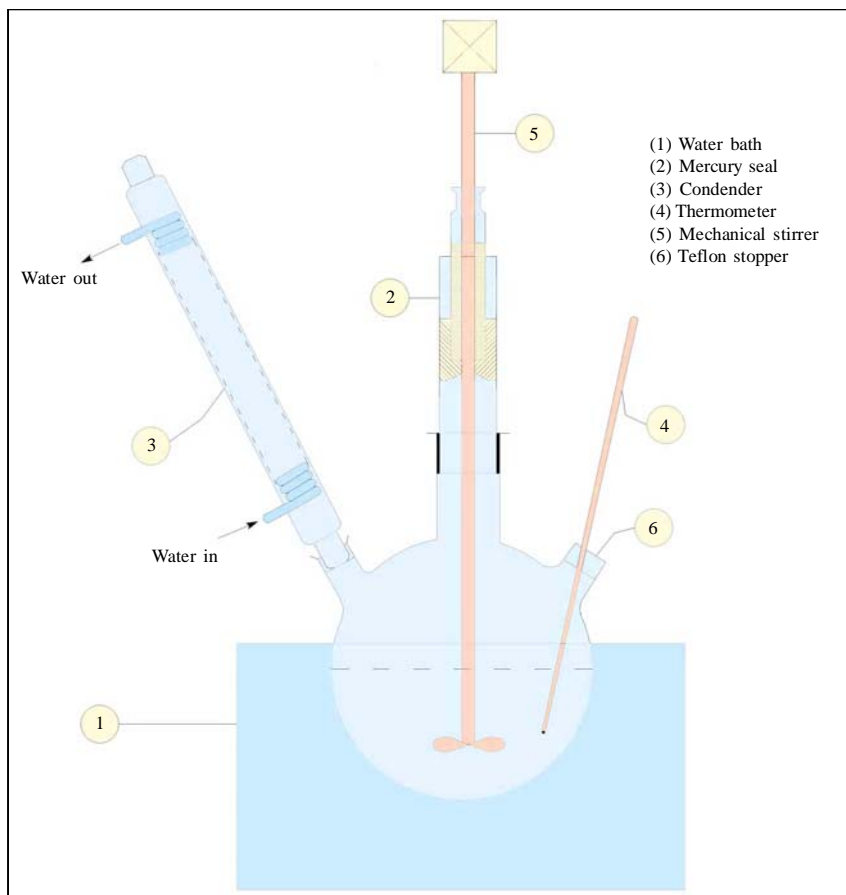
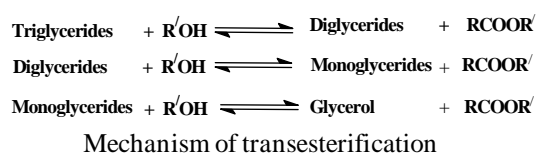


Fig. 1: Bench scale reactor

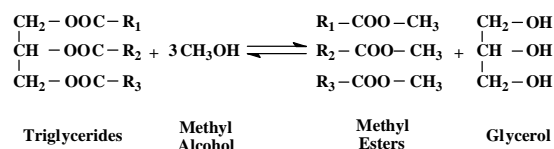
were agitated under fixed speed, constant temperature and atmospheric pressure for 60 min. The reaction mixture was then transferred to a 200 L decanter. Two layers were distinguished separated after about 6 h, the methyl esters is the upper layer where the lower one is the glycerol containing layer.

RESULTS AND DISCUSSION

Transesterification or alcoholysis is the displacement of alcohol from an ester by another in a process similar to hydrolysis, except that alcohol is used instead of water (Meher *et al.*, 2006 b; Srivastava and Prasad, 2000). This process is used to reduce the viscosity of triglycerides. Transesterification of triglycerides produces fatty acid alkyl esters and glycerol. The glycerol layer settles down at the bottom of the reaction vessel. Diglycerides and monoglycerides are the intermediates in this process. The mechanism of transesterification is described as follows:



When methanol is used for transesterification, R' is CH₃ and the process is called methanolysis. Methanolysis of jatropha oil requires three moles of methanol and can be represented by the following equation:



Trasesterification of triglycerides

Where, R_1 , R_2 , R_3 are three moles of the fatty acids constituents of jatropha oil which are recorded in Table 1. Methanolysis of jatropha fatty acids using 100 % excess methanol to force the reaction to the forward direction, produced the corresponding fatty acids methyl esters and release glycerol.

Biodiesel through bench scale

The separated two layers of the reaction mixture were collected. The methanol was removed from the methyl esters layer and its weight was determined then the biodiesel yield was calculated based on the initial oil weight. A yield of about 97.7 % of biodiesel from jatropha oil by transesterification reaction on bench scale was obtained. The lower layer was treated with phosphoric acid and the glycerol of 85 % purity was collected, as well as the free fatty acids and the sodium phosphate. These results were presented in Table 2. The most important biodiesel parameters were determined and reported in Table 3.

Biodiesel production through pilot plant

Biodiesel was produced from 100 kg jatropha oil in the pilot plant. The process flow chart accompanied with a material balance is represented in Fig. 2.

Biodiesel yield

The biodiesel yield was estimated after the reaction, collection from the upper layer of the decanter and methanol removal. The produced biodiesel weight relative to the initial used jatropha oil was taken as the biodiesel yield. Theoretically, if

100 kg of triglycerides react with 10 kg of methanol, theoretical results should be 100 kg of biodiesel and 10 kg of glycerol. However, two possible side reactions may take place in the transesterification reaction, neutralization of the free fatty acids of the vegetable oil and/or saponification of the triglycerides. Both of them produce sodium soaps and, therefore, reduce the biodiesel yield. Neutralization of the free fatty acids could occur since the acid value of the used vegetable oil was about 1 mg KOH/g. Saponification of triglycerides could be in a minimal value since the water content of the used vegetable oil was nil, but presence of the hydroxide group may cause triglycerides saponification. As shown in Fig. 2, a biodiesel yield of 97.6 wt % was obtained from transesterification of 100 kg jatropha oil and methyl alcohol with sodium hydroxide as catalyst. Some of the produced biodiesel properties were measured and presented in Table 3.

Glycerol purification

The glycerol layer was collected from the bottom of the decanter. This layer contained the glycerol, part of the unreacted methanol, formed soaps and the catalyst. Phosphoric acid was added to this layer to neutralize the catalyst and convert soaps back to free fatty acids. Three distinct layers were separated with free fatty acids on the top, glycerol and methanol in middle and sodium phosphate on the bottom. Free fatty acids and sodium phosphate were collected and sent to each corresponding storage tank. The methanol was then recovered by about 85 % by heating the glycerol above 65 °C in a closed loop and sent to the methanol storage part as shown in Fig. 2. The produced glycerol was 85 % purity according to the HPLC analysis and could be used in industrial uses or exposed to further purification for pharmaceutical uses. Free fatty acids of 2 % of the oil weight are obtained, as well as sodium phosphate salts. These free fatty acids could be used

Table 2: Bench scale experiment products quantities

Products	Quantity (gm)
Biodiesel	1954
Glycerol (85 %)	230
Free fatty acids	40
Sodium phosphate	26

Table 3: Fuel properties of produced jatropha biodiesel compared to petroleum diesel

Property	Jatropha biodiesel		
	Bench scale	Pilot scale	Diesel
Viscosity at 20 °C (m pas.s)	5.01	5.20	3-5
Flash point °C	160	162	68
Pour point °C	-9	-6	-20
Cloud point °C	6	0	-
Carbon residue (% wt.)	Nil	Nil	0.17
Acid value (mg KOH/g)	0.26	0.30	-
Calorific value (M J/kg)	40.59	39.44	42

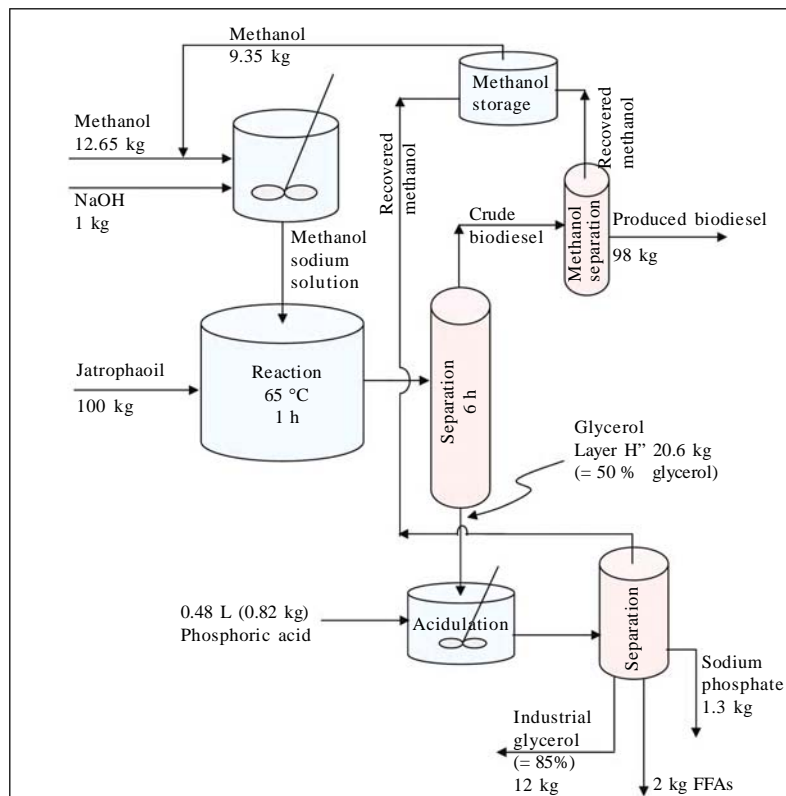


Fig. 2: Pilot scale material balance for Jatropha oil transesterification using NaOH (1 %) as catalyst

in some industries such as soap manufacturing. Sodium phosphate salts also have valuable uses as a source of sodium and/or phosphate.

Biodiesel evaluation

Some of the most important chemical and physical quality control parameters of the produced biodiesel on both bench and pilot scales are measured and compared with the petroleum diesel parameters and presented in Table 3. These parameters such as viscosity, flash point, pour point, cloud point, carbon residue, acid value and calorific value have acceptable values and are in agreement with the petroleum diesel parameters.

CONCLUSION

Jatropha oil has been chosen as a feedstock for biodiesel production since it is non-edible oil; in addition to the success of its cultivation overall Egyptian desert. Studies of biodiesel production from jatropha oil by transesterification on both bench and

pilot scales have been developed and evaluated. Physical and chemical properties of produced biodiesel are in agreement with those of petroleum diesel and with international standards of biodiesel. Valuable byproducts such as glycerol, free fatty acids and sodium phosphate are produced. A biodiesel yield on pilot scale nearly to 98 % with quality agreement with petroleum diesel enable transfer the process to industrial scale up.

ACKNOWLEDGMENT

Financial support from US-Egypt Joint Research Grant is appreciated. Also Petroleum Institute at Nasr city, Egypt is gratefully acknowledged for biodiesel specifications determination.

REFERENCES

- Alptekin, E.; Canakci, M., (2008). Characterization of the key fuel properties of methyl ester-diesel fuel blends. *Fuel*, 88 (1), 75-80 (6 pages).
- Antolin, G.; Tinaut, F. V.; Briceno, Y.; Castano, V.; Perez, C.; Ramirez, A. I., (2002). Optimisation of biodiesel production

- by sunflower oil transesterification. *Bioresource Tech.*, 83 (2), 111-114 (4 pages).
- Baldwin, J. D.; Kilmowski, C. H.; Keesy, M. A., (1982). Fuel additives for vegetable oil-fueled compression ignition engines. *Vegetable oil fuels, Proceedings of the International Conference on plant and vegetable oils as fuels, ASAE*, 82 (4), 224.
- Boehman, A. L., (2005). Foreword. *Biodiesel production and processing. Fuel Process. Tech.*, 86 (10), 1057-1058 (2 pages).
- Bouaid, A.; Diaz, Y.; Martinez, M.; Aracil, J., (2005). Pilot plant studies of biodiesel production using *Brassica carinata* as raw material. *Catal. Today* 106 (1-4), 193-196 (4 pages).
- Dorado, M. P.; Ballesteros, E.; Lopez, F. J.; Mittelbach, M., (2004). Optimization of alkali-catalyzed transesterification of brassica oil for biodiesel production. *Energ. Fuel*, 18 (1), 77-83 (7 pages).
- Encinar, J. M.; Gonzalez, J. F.; Rodriguez-Reinares, A., (2007). Ethanolysis of used frying oils. *Biodiesel preparation and characterization. Fuel Process. Tech.*, 88 (5), 513-522 (10 pages).
- Fuls, J.; Hawkins, C. S.; Hugo, F. J. C., (1984). Tractor engine performance on sunflower oil fuel. *J. Agri. Eng.*, 30, 29-35 (7 pages).
- Haas, M. J., (2005). Improving the economics of biodiesel production through the use of low value lipids as feedstock: Vegetable oil soapstock. *Fuel Process. Tech.*, 86 (10) 1087-1096 (10 pages).
- Kayasiri P.; Jeyashoke, N.; Krisangkura, K., (1996). Survey of seed oils for use as diesel fuels. *J. Am. Oil Chem. Soc.*, 73 (4), 471-474 (4 pages).
- Knothe, G.; Steidley, K. R., (2005). Kinematic viscosity of biodiesel fuel components and related compounds. Influence of compound structure and comparison to petrodiesel fuel components, *Fuel*, 84 (9), 1059-1065 (7 pages).
- Ma, F.; Hanna, M. A., (1999). Biodiesel production: A review. *Bioresource. Tech.*, 70 (1) 1-15 (15 pages).
- Meher, L. C.; Dharmagadda, S. S. V.; Naik, S. N., (2006 a). Optimization of alkali-catalyzed transesterification of *Pongamia pinnata* oil for production of biodiesel. *Bioresource Tech.*, 97 (12), 1392-1397 (6 pages).
- Meher, L. C.; Sagar, D. V.; Naik S. N., (2006 b). Technical aspects of biodiesel production by transesterification-a review, *Renew Sust. Energ. Rev.*, 10 (3) 248-268 (21 pages).
- Peterson, C. L.; Wanger, G. L.; Auld, D. L., (1983). Vegetable oil substitutes for diesel fuel. *T. ASAE*, 26, (2), 322-327 (6 pages).
- Phan, A. N.; Phan, T. M., (2008). Biodiesel production from waste cooking oils. *Fuel*, 87 (17-18), 3490-3496 (7 pages).
- Ryan, T. W.; Dodge, G.; Callahan, T. J., (1984). The effects of vegetable oil properties on injection and combustion in two different diesel engines. *J. Am. Oil Chem. Soc.*, 61, (10) 1610-1619 (10 pages).
- Saifuddin, N.; Chua, K. H., (2004). Production of ethyl ester (biodiesel) from used frying oils: Optimization transesterification process using microwave irradiation. *Malaysian J. Chem.*, 6, (1) 77-82 (6 pages).
- Schlautman, N. J.; Schinstock, J. L.; Hanna M. A., (1986). Unrefined expeller soybean oil performance in a diesel engine. *T. ASAE*, 29 (1), 70-73 (4 pages).
- Srivastava, A.; Prasad, R., (2000). Triglycerides-based diesel fuels. *Renew Sust. Energ. Rev.*, 4 (2), 111-133 (23 pages).
- Tiwari, A. K.; Kumar, A.; Raheman, H., (2007). Biodiesel production from *Jatropha oil (jatropha curcas)* with high free fatty acid: An optimized process. *Biomass Bioenerg.*, 31 (8) 569 -575 (7 pages).
- Tomasevic, A. V.; Siler-Marinkove, S. S., (2003). Methanolysis of used frying oil. *Fuel Process. Tech.*, 81 (1), 1-6 (6 pages).
- Van Der Wat, A. N.; Hugo, F. J. C., (1982). Attempts to prevent injector cooking with sunflower oil by engine modifications and fuel additives. *Vegetable Oil fuels, Proceedings of the International Conference on Plant and Vegetable Oils as fuels, ASAE*, 82 (4) 230.
- Van Gerpen, J., (2005). Biodiesel processing and production. *Fuel Process. Tech.*, 86 (10), 1097-1107 (11 pages).
- Vicente, G.; Martinez, M.; Aracil, J., (2004). Integrated biodiesel production: A comparison of different homogeneous catalysts systems. *Bioresource Tech.*, 92 (3), 297-305 (9 pages).
- Wan Nik, W. B.; Ani, F. N.; Masjuki, H. H. (2005). Thermal stability evaluation of palm oil as energy transport media, *Eng. convers. manage.* 46 (13-14), 2198-2215 (18 pages).
- Wang, Y.; Ou, S.; Liu, P.; Xue, F.; Tang, S., (2006). Comparison of two different processes to synthesize biodiesel by waste cooking oil. *J. Mol. Catal. A-Chem.*, 252 (1-2), 107-112 (6 pages).

AUTHOR (S) BIOSKETCHES

El-Diwani, G., Research professor, Chemical Engineering and Pilot Plant Department and Head of Engineering Development and Consultancy Unit, National Research Center, Dokki, Egypt. Email: geldiwani@yahoo.com

Attia, N. K., Researcher, Chemical Engineering and Pilot Plant Department, National Research Center, Dokki, Egypt. Email: nahed_attia@yahoo.com

Hawash, S. I., Research professor, Chemical Engineering and Pilot Plant Department, National Research Center, Dokki, Egypt. Email: dr_salwa@yahoo.com

This article should be referenced as follows:

El-Diwani, G.; Attia, N. K.; Hawash, S. I., (2009). Development and evaluation of biodiesel fuel and byproducts from *Jatropha* oil. *Int. J. Environ. Sci. Tech.*, 6 (2), 219-224.