

() , ()

*

(/ / : // :)

% % %

/ / (/)
%

(Yu, 2006)

(Wong, J.Y., 2001)

(Anon. 2003)

(Raper, 2005)

(Shoop, (CI)

.1993)

(Boon *et al.*, 2005)

ASAE EP542 FEB99

(Boon *et al.*, 2005)

jmassah@ut.ac.ir :

*

1. Cone Index
2. Cone Penetrometer
3. Penetration Resistance.

4. Cone Resistance.



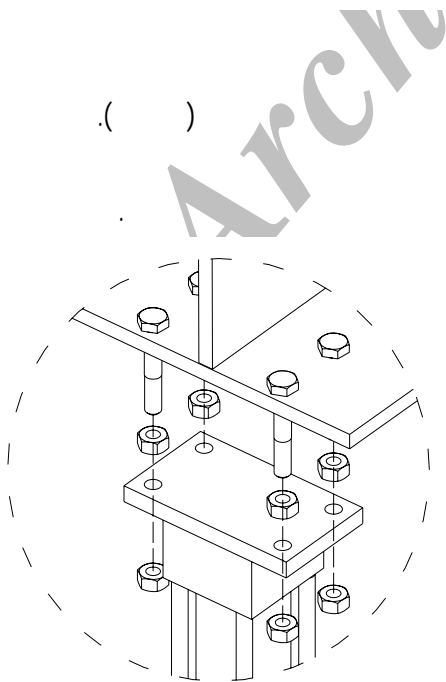
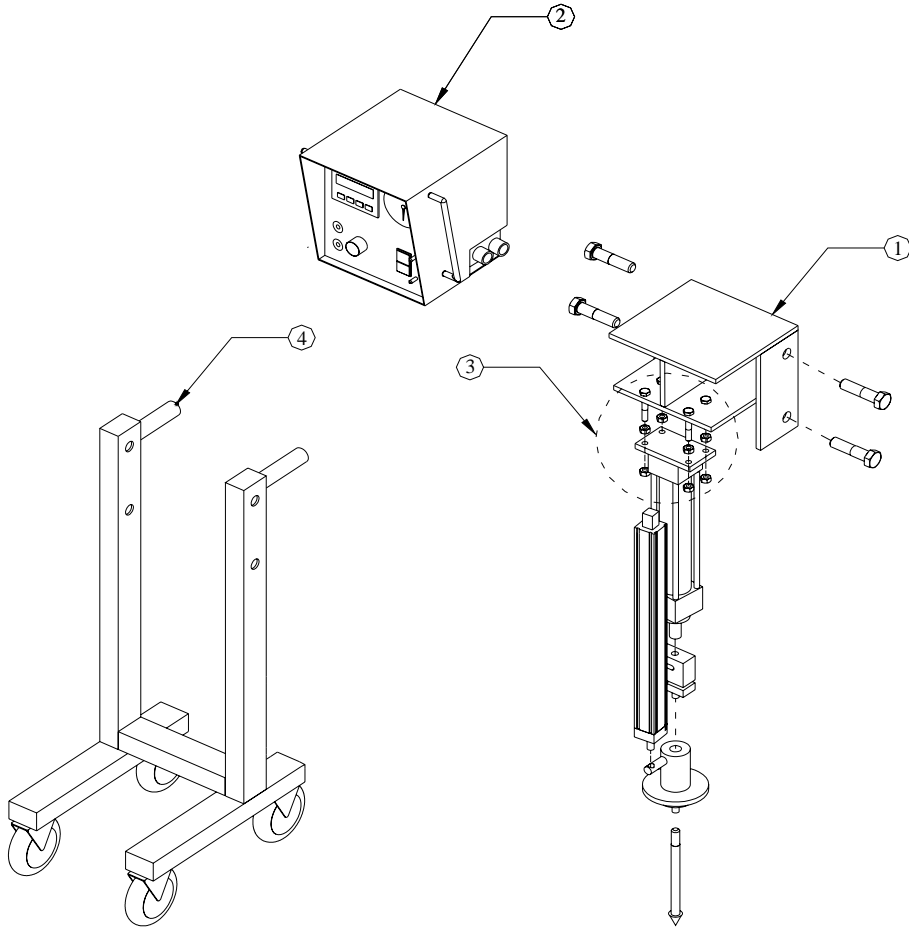
(Anon., 2003)

ASAE S313.3 FEB04

(AISI 416, Stainless Steel)

St 37

M20



St37

S

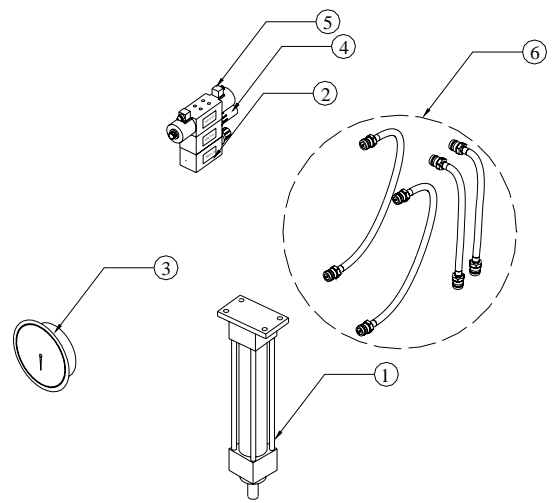
- 1 . Interface
- 2 . Load Cell

()

(MSP-01-H, Hystar, Taiwan)

()

(DSG-3C60-01-D24, Hystar, Taiwan)



Archive of

()

(AHE01350A-3A-3, Taiyo, Japan)

(Wong, J. Y.,

2001)

(DBBP, Bongshin, Korea)

(MBP-01-H, Hystar, Taiwan)

-
- 1. Tandem Center
 - 2. Quick Coupler

RS232

(KTC 375, Hystar,

Taiwan)

Notepad

:RS232

RS232

USP



(CAWL2RG, Camos, Iran)

(V3515WL1, Fujitsu

CPU GHz 768 MB RAM

Siemens, German)

2.00

± / ± /

±

/ / /

Archive of SID

± /

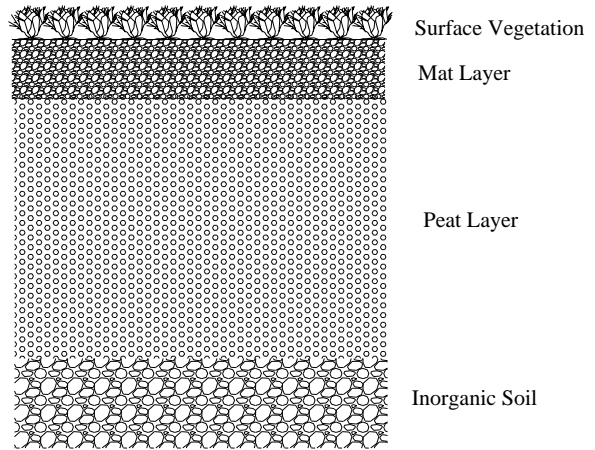
× ×

mat

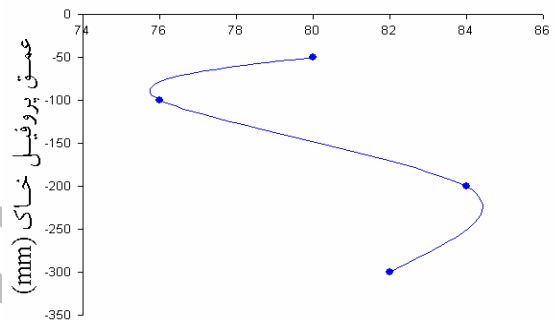
(())
() ()
() ()

peat

Excel



درصد رطوبت (%)



mat

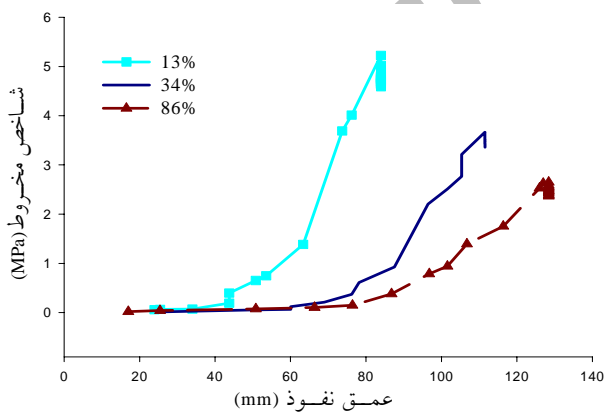
peat

mat

(Wong, J.Y.,

.2001)

%



(Wong et al., 1979)

()

(/)

REFERENCES

ASAE EP542 FEB99, (2003). *Procedures for Using and Reporting Data Obtained with the Soil Cone Penetrometer*. Available on line at <http://www.asae.org>: 1008-1011.

ASAE S313.3 FEB04, (2003). *Soil Cone Penetrometer*. Available on line at <http://www.asae.org>: 858-860.

Benoit, O. & Gotteland, Ph., (2005). Modelling of

Sinkage Tests in Tilled Soils for Mobility Study. *Soil & Tillage Research*, 80, 215-231.

Boon, N.E., Yahya, A., Kheiralla, A.F., Wee, B.S. & Gew, S.K., (2005). A Tractor-Mounted, Automated Soil Penetrometer-Shearometer Unit for Mapping Soil Mechanical Properties. *Biosystems Engineering*, 90 (4), 381-396.

- Raper, R.L., (2005). Agricultural traffic impacts on soil. *Journal of Terramechanics* 42, 259–280.
- Shoop, S.A., (1993). Terrain Characterization for Trafficability. US Army Corps of Engineers. *CRREL Report* 93-6.
- Wong, J.Y., (2001). *Theory of Ground Vehicles*. 3rd Edition. New York, John Wiley.
- Wong, J.Y., Garber, M., Radforth, J.R. & Dowell, J.T., (1979). Characterization of the Mechanical Properties of Muskeg with Special Reference to Vehicle Mobility. *Journal of Terramechanics*, Vol. 16, No. 4, pp. 163 to 180.
- Yu, T., (2006). *The Tractive Performance of a Friction-based Prototype Track*. A Ph.D. Thesis, Faculty of Engineering, Built Environment and Information Technology University of Pretoria, South Africa.

Archive of SID