

( )

//

**(Dibble Punch Planter)**

/ / /)

x

)

(

(

(

)

/

:

( )

( )

)

(

( )

( )

( )

( )

( )

( )

( )

( )

( )

( )

/ / / /

- 
- 4. Bucket-Punch Planter
  - 5. Dibble-Punch Planter
  - 6. Spade-Punch Planter

- 
- 1. Punch planting
  - 2. Punch planter
  - 3. No-till Planters

ADSP

Archive of SID

---

2. Animal-drawn revolving spade-punch planter

---

1. Peat and Vermiculite

( )

( )

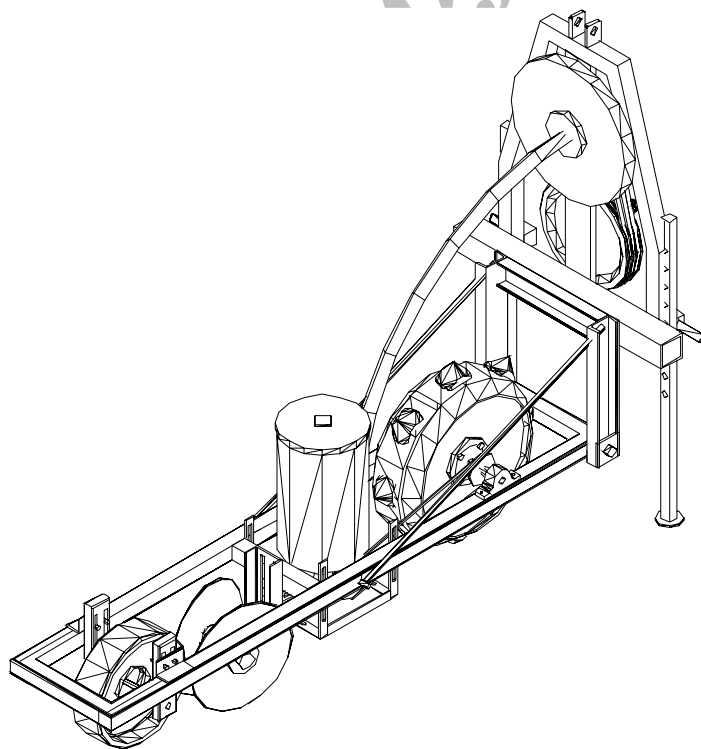
(.)

(

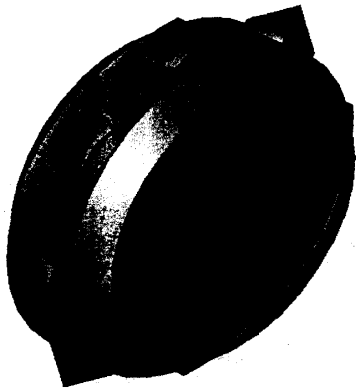
)

( )

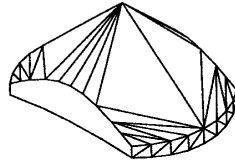
of SID



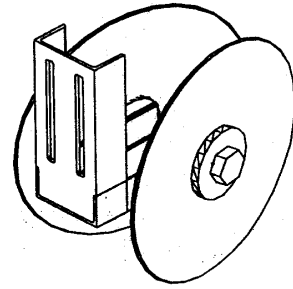
Autocad



( )



( )



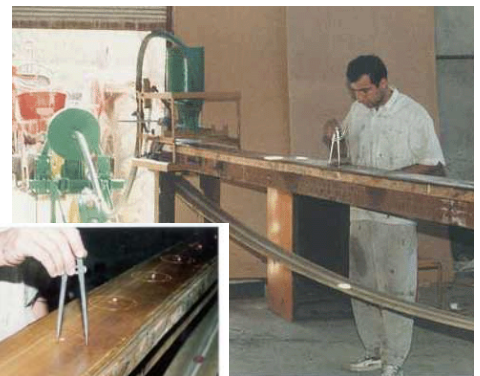
( )



L ( )

L

( )



( )

)

(

( )

( )

/

Z Y X

Archive of SID

( )

/ / / / / / )

(



/	ns
/	ns
/	**
/	ns
/	*

\*\*\*  
.ns

$$N_j \quad n_j \quad (M)$$

$$M = \frac{n_3 + n_4 + n_5}{N} \times 100$$

$$A = \frac{n_2}{N} \times 100 \quad (A)$$

( )  
( )

( )

(C)

$$C = \frac{S_2}{X_{ref} \quad n_2}$$

$S_2$   
( )

( )

( )



:

( )

( ) /

( ) ( ) )

%

( ) ( )

( )

( )

( )

/

/ / / /

/

/

/

( )

( )						
/	/	/	/	/	/	/
/ a	/ a	/ a	/ a	/ a	/ a	(%)
/ a	/ a	/ a	/ a	/ a	/ a	(%)
c	/ bc	bc	/ bc	/ b	/ a	(%)
/ a	/ a	/ a	/ a	/ a	/ a	(%)
/ b	/ ab	/ ab	/ ab	/ ab	/ a	(%)

:

%

( )

%

%

( )

( )

%

( / )

( )

%

%

( )

/ / /

/ a / b / b / c / c (%)

/ c / b / ab / a / a (%)

/ a / b / bc / bc / c (%)

/ a / b / b / b / b (%)

/ c / b / ab / a / a (%)

/ c / b / ab / a / a ( )

( )

%

( )

/ a / ab / b (%)

/ a / a / a (%)

/ a / a / b (%)

/ a / a / a (%)

/ a / a / a (%)

/ a / a / a ( )

%

%

%

## REFERENCES

2. Adekoya, L. O. & W. F. Buchele. 1987. A precision punch planter for use in tilled soil. *J. Agric. Eng. Res.* 37: 171-178.
3. Brown, F. R., S. J. Miles, & J. Bulter. 1994. Design and development of a high-speed dibber drill for improved crop establishment. *J. Agric. Engng Res.* 58,261-270.
4. Chenghua, L., Chenglin, M., Y. Haiye, & KH. Kromer. 1999. Computer simulation on effect of punch planter parameters and spade shape on seed placement. *Transactions of the Chinese Society of Agricultural Machinery.* 30(3): 35- 38
5. Debicki, I. W., & L. N. Shaw. 1996. Spade-punch planter for precision planting. *Trans. ASAE.* 39(4): 1259-1267.
6. Eikel, G. & O. Siebertz. 1990. Technology for point bedding of maize seed with organic mulch. *Landtechnik.* 45(9): 341- 344.
7. Hezroni, A., Y. Alper, A. Antler & I. Wolf. 1986. Seeding directly through plastic mulch. *Acta Horticulturae* 187. In *Mechanization of Vegetable Production*, 93-98.
8. Jafari, J. & K. J. Fornstrom. 1972. A precision punch planter for sugar beets. *Trans. ASAE.*15(3): 569-571.
9. Jasa, P.J., & E.C. Dickey. 1982 .Tillage factors affecting corn seed spacing. *Trans. ASAE* 25(6):1516-1519.
10. Kachman, S. D., & J. A. Smith. 1995. Alternative measures of accuracy in plant spacing for planting single seed metering. *Trans. ASAE.* 38(2): 379-387.
11. Kepner, R. A., R. Bainer, & E. L. Barger. 1978. *Principles of Farm Machinery.* 3th(ed.) Avi Publishing Company, Inc. Westport, Connecticut,USA. 527p.

12. Kromer, K. H. 1986. A Bucket planter for seeding through mulch. *Acta Horticulture-Mechanization of Vegetable Production*, 187: 159.
13. Miles, S. J. & J. N. Reed. 1999. Dibber drill for Precise placement of seed and granular pesticide. *J. Agric. Engng. Res.* 74:127-133.
14. Molin, J. P., L. L. Bashford, R. D. Grisso, & A. J. Jones. 1998. Population rate changes and other evaluation parameters for a punch planter prototype. *Trans. ASAE.* 41(5): 1265- 1270.
15. Molin, J. P. & L. L. Bashford. 1996. Penetration forces at different soil conditions for punches used on punch planters. *Trans. ASAE.* 39(2): 423- 429.
16. Molin, J. P. & V. D'Agostini. 1996. Development of a rolling punch planter for stony soil conditions. *AMA.* 27(3): 17-19.
17. Molin, J. P., L. L. Bashford, K. Von Bargen, & L. I. Levitcus. 1998. Design and evaluation of a punch planter for no- till systems. *Trans. ASAE.* 41(2): 307-314.
18. Scheidtweiler, T. W. 2000. A New approach to appropriate tillage and planting techniques for sustainable agriculture in developing countries. Department of Agricultural Engineering University of Bonn, Germany, Dr. Thomas W. Scheeiler.
19. Sirvastava, A. K. & M. E. Anibal. 1981. A punch planter for conservation tillage. Paper No. 81-1020, Summer meeting of the American Society of Agricultural Engineers, Orlando, Florida, USA.
20. Taylor, R. W. & D. W. Allinson. 1983. Legume establishment in sods using minimum tillage seeding techniques without herbicide application: forage yield and quality. *Agronomy Journal* 75:167-172.

Archive of SID