

( )

\*

( // : // : )

°C °C °C °C

( )

% % %

(SCI)

°C

°C

%  
°C

°C

Archive of SID

( )

(.)

1 ×

(.)

(.)

:

:

\*

( ) ( )

( )  
( )

( )

( )

( )

( ) % %  
% °C °C °C  
°C

%

( )

( °C °C)

°C

( )

( )

( )

---

5. Video Microscopy  
6. Image Analysis

---

1. Fine Fissures  
2. Stress Crack  
3. Head Rice Yield (HRY)  
4. Head Rice Yield Reduction (HRYR)

( )

( )

( )

( )

( )

( )

( )

( )

( )

( )

( )

Daego

---

3. Stress Cracking Index (SCI)

- 
1. Head Rice Yield (HRY)
  2. Head Rice Yield Reduction (HRYR)

( )

( )

°C

( )

( )

% / % /

( ) °C

( )

%

°C

( )

( )

( ) AC

+( )

( )

/

/

/

/

/

/

/

/

+

( )

°C

%

%

°C

°C

°C

%

Archive of SID

1. International Rice Research Institute (IRRI)

2. Memmert

(wet basis)

4. Vane Anemometer

(SCI)

( )

( )

$$SCI = m \cdot 5 + d \cdot 3 + s$$

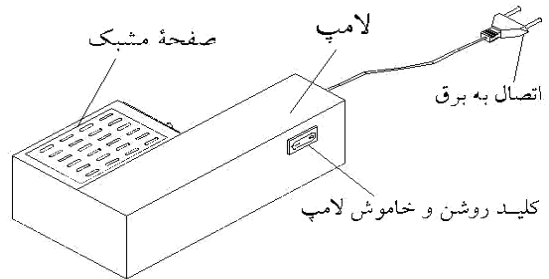
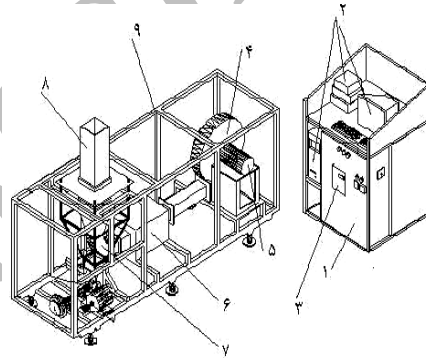
$$=SCI$$

$$=m$$

$$=d$$

$$=s$$

( )



%  
%  
°C  
°C  
°C  
°C  
°C  
°C  
°C

( ) ( )

( ) %

---

---

(°C) (%w.b.)

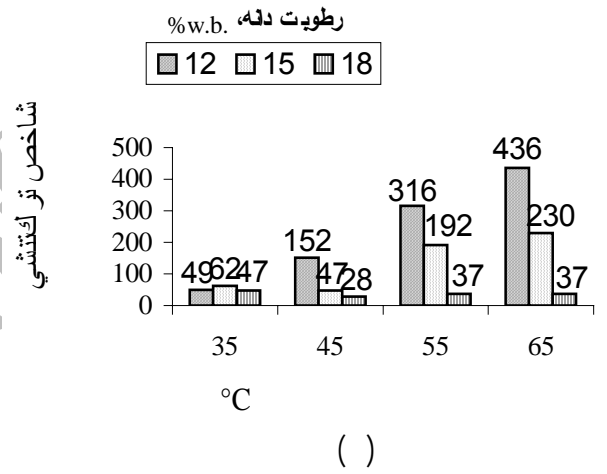
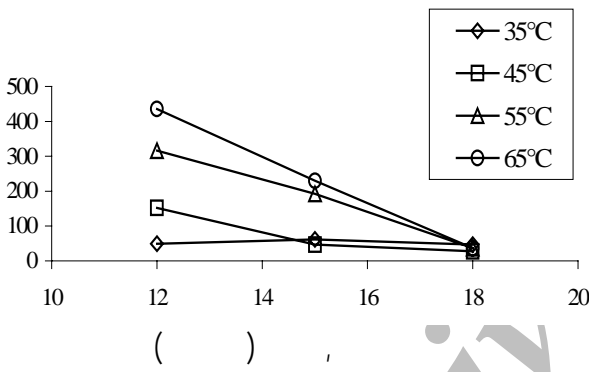
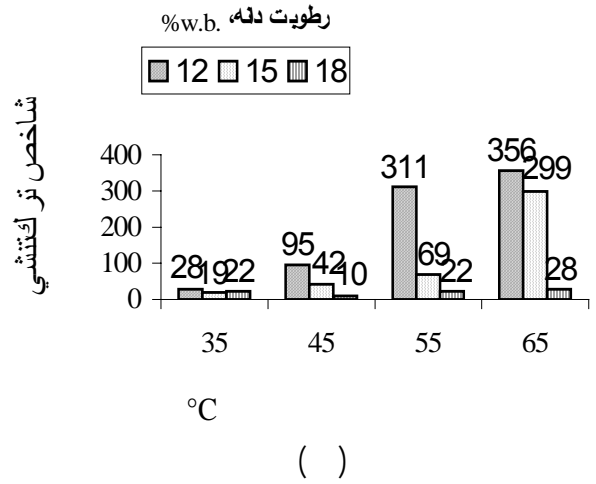
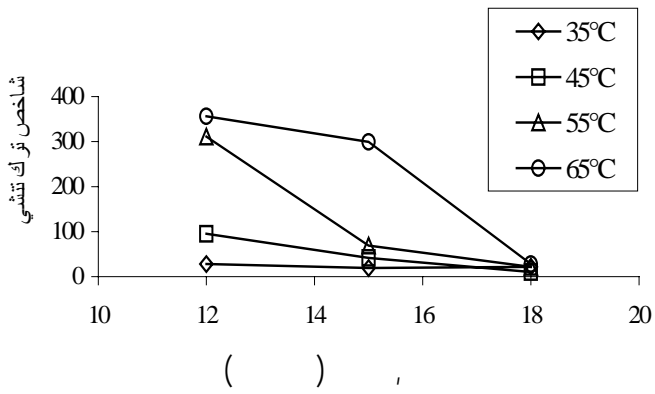
---

---

(%w.b.) (°C)

Archive of SID

---



Archiv

°C %

% %

°C

%

°C





4. Abud-Archila, M., C. Bonazzi, H. Aichoune & B. Heyd. 1999. Image analysis of shrinkage and cracking of rice during convective drying. Second European Congress of Chemical Engineering.
5. Bautista, R. C. & T. J. Siebenmorgen. 1999. Fissure formation in brown rice kernels observed with a video microscopy system. Ongoing studies: Rice quality and processing.
6. Blakeney, A. B. 1996. Rice. In: Cereal grain quality. Edited by R. J. Henry and P. S. Kettlewell. Chapman & Hall, 2-6 Boundry Row. London SE1 8HN. UK.
7. Chakraverty, A. & R. P. Singh. 2001. Post harvest technology: cereals, pluses and oilseeds. Science Publishers, Inc., Enfield. New Hampshire. USA. Printed in India.
8. Chen, H., T. J. Siebenmorgen & B. P. Marks. 1997. Relating drying rate constant to head rice yield reduction on long-grain rice. Transactions of the ASAE 40(4): 1133-1139.
9. Cnossen, A. G. J. Jimenez & T. J. Siebenmorgen. 2003. Rice fissuring response to high drying and temperatures. Journal of Food Engineering 59(1):61-69.
10. Gunasekaran, S., S. Deshpande, M. R. Paulsen & G. C. Shove. 1985. Size characterization of stress cracks in corn kernels. Transactions of The ASAE 28(5): 1668-1672.
11. Gunasekaran, S., T. M. Cooper, A.G. Berlage & P. Krishnan, 1987. Image processing for stress cracks in corn kernels. Transactions of the ASAE 30(1): 266-270.
12. Juliano, B. O. 1993. Rice in human nutrition. FAO Food and Nutrition series No. 26. International Rice Research Institute.
13. Kunze, O R. 1995. Effect of drying on grain quality- Moisture readsorption causes fissured grains. International Conference on Grain drying. East Asia, Bangkok. Thailand.
14. Kunze, O. R. & S. Prasad. 1978. Grain fissuring potentials in harvesting and drying of rice. Transactions of the ASAE 21(2): 361-366.
15. Kunze, O. R. 1979. Fissuring of the rice grain after heated air drying. Transactions of the ASAE 22(5): 1197-1201, 1207.
16. Lan, Y. & O. R. Kunze. 1996. Fissure characteristics related to moisture adsorption stress in rice. Transactions of the ASAE 39(6): 2169-2174.
17. Lan, Y. & O. R. Kunze. 1996. Fissure resistance of rice varieties. Applied Engineering in Agriculture. Vol. 12(3): 365-368.
18. Maier, D. E. & A. E. Watkins. 1998. Drying of high oil Corn for quality. GQFS-35. Grain quality fact sheets can be accessed on-line through the word wide web at: <http://www.agcom.purdue.edu/AgCom/Pubs/grain.htm>. (select) Grain Quality.
19. Maier, D. E. & A. E. Watkins. 1998. Drying of white food corn for quality. GQFS-34. Grain quality fact sheets can be accessed on-line through the word wide web at: <http://www.agcom.purdue.edu/AgCom/Pubs/grain.htm>. (select) Grain Quality.
20. Nalladurai, K., K. Alagusundaram & P. Gayathri. 2003. Effects of variety and moisture content on the engineering properties of paddy and rice. Agricultural Mechanization in Asia, Africa and Latin America (AMA) 34(2): 47-52.
21. Nguyen, C. N. & O. R. Kunze. 1985. Fissures related to post-drying treatments in rough rice. Cereal Chemistry 61(1): 63-68.
22. Sarker, N. N., O. R. Kunze & T. Strouboulis. 1996. Transient moisture gradients rough rice mapped with finite element model and related to fissure after heated air drying. Transactions of the ASAE 39(2): 625-631.
23. Watkins, A. E. & D. E. Maier. 2001. Thin-layer drying rates, stress cracking and digestibility of selected high-oil corn hybrids. Transactions of the ASAE 44(3): 617-622.