

()

تاریخ دریافت ۸۳/۰۹/۲۵ ، پذیرش مقاله ۸۳/۱۲/۰۵

()

COD BOD₅ ()
SVI pH DO

MPN TSS

()

/

TSS BOD₅ COD

(mg/l)

COD

(SVI < ml/g)

SS BOD₅ EPA

(SVI)

()

()

TSS COD BOD₅

()

()

()

TSS³ COD² BOD₅

SVI pH DO MPN

⁴ Environmental Protection Agency

¹ Biological Oxygen Demand
² Chemical Oxygen Demand
³ Total Solid Solvents

BOD₅

SVI MPN TSS COD

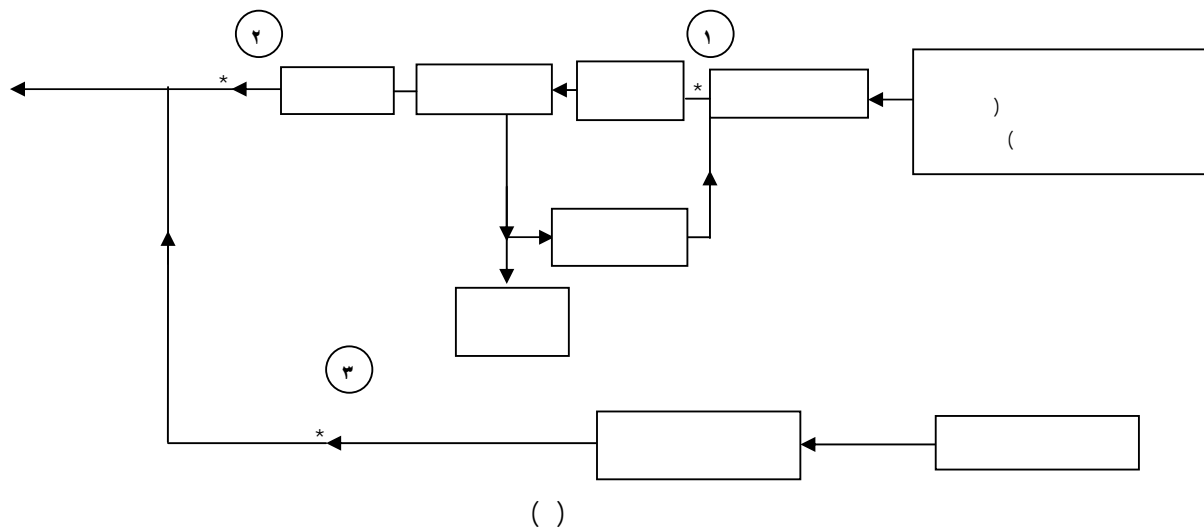
Standard method

()

pH TSS COD BOD₅

pH

SVI



() :

		BOD ₅
		COD
		TSS
		DO
		MPN
		SVI
		pH
	HACH	

ml/g

COD

TSS BOD₅ COD / DO ()

COD /

pH

EPA

COD

% /

%

(BOD)

% /

SVI < ml/g

()

(.)

(.)

¹ Rising

¹ SVI
² BOD₅
³ COD
⁴ TSS

:

()

/	/ /	°C	T
/	/ /	-	pH
		mg / l	COD
		mg / l	BOD ₅
		mg / l	TSS

()

:

/	/ - /	°C	T
/	/ - /		pH
	-	mg / l	COD
/		mg / l	BOD ₅
		mg / l	TSS
/	/ - /	mg / l	DO
>		MPN/100 ml	
		mg / l	

()

:

/	/	°C	T
/	/ /		pH
<<<	<<<	ml / g	SVI
/	/ /	mg / l	DO

:

/	- /	°C	T
/	/		pH
	-	mg / l	COD
/		mg / l	BOD ₅
/	-	mg / l	TSS

:

%	%	BOD ₅
%	% /	COD
%	% /	SS

TSS BOD₅ COD
/

:

TSS BOD₅ EPA ()

()

TSS BOD₅ COD MPN

COD BOD₅

COD

COD

References

1. Gabriel Bitton: wastewater microbiology. 2nd Ed, Canada, Wiley liss, 1999: 154-209.

Standard methods for the examination of water and wastewater. 20th Ed, Washington DC, APHA, 1998: 2-57 & 5-2 & 5-13 & 9- 48.

5. Tchobanoglous G: wastewater engineering (Treatment, Disposal, Reuse). 4th Ed, New York, Metcalf & Eddy, INC, McGraw Hill, 2003: 659-749.

4. APHA (American Public Health Association):