

Research Paper

Effect of Concurrent Training Order With Electromyostimulation on Physical Performance in Young Elderly Women

*Mehri Derakhshan Nejad¹, Masoud Nikbakht¹, Mohsen Ghanbarzadeh¹, Rouhollah Ranjbar¹

1. Department of Exercise Physiology, Faculty of Sport Sciences, Shahid Chamran University of Ahvaz, Ahvaz, Iran.



Citation Derakhshannejad M, Nikbakht M, Ghanbarzadeh M, Ranjbar R. [Effect of Concurrent Training Order With Electromyostimulation on Physical Performance in Young Elderly Women (Persian)]. Archives of Rehabilitation. 2021; 21(4):508-525. <https://doi.org/10.32598/RJ.21.4.3147.1.1>

doi <https://doi.org/10.32598/RJ.21.4.3147.1.1>



Received: 27 Dec 2019

Accepted: 23 Aug 2020

Available Online: 01 Jan 2021

ABSTRACT

Objective Aging is one of the stages of life that needs special attention due to the special conditions of this period of life. Inactivity and myasthenia due to aging are important factors in reducing the physical and functional activities in the elderly, which can affect their quality of life. On the other hand, electromyostimulation (EMS) is one of the modern training methods that can be suitable for disabilities in the elderly. Also, the training sequence in concurrent training is one of the variables of training that can affect its adaptations. This study aimed to compare the effect of exercise sequence in concurrent training with EMS on the motor performance of elderly women.

Materials & Methods In this semi-experimental single-blinded study, 50 healthy elderly female volunteers, age range of 60-70 years, were selected by random sampling divided randomly into the following groups (each group of 10 people): Aerobic-resistance training with EMS, resistance-aerobic exercise with EMS, rotational exercise (change of priority periodically in training sessions) with EMS, and rotational and control (without training) groups. The training protocol consisted of twelve weeks of exercise, three sessions per week, and each session three stages of warm-up (10-15 minutes), main exercises (20 minutes) and cooling (10 minutes). The main training program consisted of 20 minutes of parallel combination exercises, which were two 10-minute steps with a 3-5 minute intervals. Aerobic exercises were performed with the intensity of 70%-50% of maximum oxygen consumption and resistance exercises using body weight and elastic bands for different muscle groups. The training schedule was the same for all groups in terms of volume and intensity, with the only difference being in the exercise sequence and EMS presentation. Strength of the upper and lower torso muscles were measured with chest press and seated leg extension, respectively, maximum oxygen consumption (VO_2 max) with a one-mile Rockport walking test, muscular endurance with a 2-minute marching on a spot-test and lower torso strength with a walking test on the slope in two stages before and after the intervention. Statistical analysis was performed using dependent t-tests and Covariance Analysis (ANCOVA) and Bonferroni post hoc test using SPSS software V. 22 and $P \geq 0.05$ was considered statistically significant.

Results Significant increase was observed in all measured dependent variables relative to the baseline values ($P < 0.001$). In the study of intergroup changes, a significant increase was observed in VO_2 max level, upper and lower torso strength, and muscular endurance in all of the intervention groups compared to the control group ($P < 0.001$), but lower torso strength was significant only in the intervention groups with EMS compared to the control group ($P < 0.001$). VO_2 max changes and the lower torso strength in training groups with EMS were significantly higher than the groups without EMS ($P < 0.01$). Also, the upper torso strength and the endurance of the lower torso muscles in the group with the priority of resistance training with EMS were higher than the combination group without EMS ($P < 0.01$).

Conclusion Based on the results, it can be said that combined concurrent exercises are a useful method in promoting physical fitness and physical performance of elderly women, and the use of EMS can increase the effectiveness of adaptations resulting from exercise, especially lower torso strength in the elderly and can prevent complications associated with myasthenia. On the other hand, the training sequence with the priority of resistance training can be effective in increasing the effect of exercise on the variables of upper torso muscle strength and muscular endurance, but it does not have a significant effect on lower torso strength, cardiorespiratory endurance and lower torso strength.

Keywords:

Elderly, Women, Exercise training, Electromyostimulation, Physical performance

***Corresponding Author:**

Mehri Derakhshannejad, PhD.

Address: Department of Exercise Physiology, Faculty of Sport Sciences, Shahid Chamran University of Ahvaz, Ahvaz, Iran.

Tel: +98 (916) 6019534

E-Mail: derakhshan1959@gmail.com

Extended Abstract

Introduction

Aging is a part of the biological process and one of the acute stages of human life, with particular importance [1]. Due to health-related developments, people's longevity in the community and the number of elderly people is increasing [2]. Due to the synchronicity of sedentary lifestyle and physiological changes, elderly people are more prone to chronic diseases [3], which increases mortality and morbidity in the elderly [4, 5] and indicates the need for special care to prevent diseases. They also increase physical fitness to improve the quality of life [6, 7].

Exercise training can be a preventative measure to reduce chronic diseases and aging complications [10, 11]. Exercise has been reported to reduce mortality by 22 percent in the elderly [12]. One of the most critical public health goals is to reduce age-related disabilities during this period [10, 13]. Recommended physical activity for the elderly is a combination of aerobic exercise to improve cardiovascular capacity and strength training to prevent sarcopenia and improve neuromuscular function [14]. One of the limitations of participating in exercises is training time; some people tend to do combination exercises in one session. Exercise instructions for the elderly emphasize Concurrent training (aerobic-strength) [14, 15]. One of the main variables in simultaneous exercises is the sequence of exercises for which there is limited information about this training variable [16]. The research results regarding the effect of exercise sequence on physiological and functional capacity are also different [16, 22, 23].

The elderly are usually reluctant to exercise at high intensities, and there may also be a risk of injury at high intensities for them [15]. Therefore, complementary training methods such as Electromyostimulation (EMS) can achieve high training intensities [25]. Due to limitations such as low physical fitness and aging complications such as musculoskeletal pain, this type of exercise can help the elderly [13]. EMS training has been reported to increase muscle mass, decrease body fat percentage, and improve functional capacity in the elderly [26]. Also, the results of research by Robles-Gonzalez et al. [31] and Schenk et al. [32] indicate the effectiveness of EMS training in improving cardiovascular function in healthy and sick individuals.

Although research shows that EMS training is essential for improving physical function in the elderly, the need for this study is justified due to the lack of information and inconsistent results on the effect of exercise sequence on

physical performance and also the lack of research that specifically examines the effect of exercise sequence in Concurrent training with EMS. According to the above, the present study was designed to investigate the effect of concurrent training sequence with EMS on young, older women's physical performance.

Materials and Methods

In the present semi-experimental study, 50 older women aged 60-70 were selected by random sampling method and randomly divided into 5 groups of 10 people. The study's inclusion criteria included being in the low-risk category based on the Physical Activity Readiness Questionnaire (PAR-Q), not taking any medications or supplements, no specific diseases, and sedentary lifestyle. The exclusion criteria also include dissatisfaction to continue the research, non-compliance with the training intervention program and absence in training sessions, and the occurrence of any disease or complication that leads to forbid exercise according to the physician supervisor.

Weight and body mass index were measured using a body composition device, and height was measured using a stadiometer without shoes. The upper limb and lower limb strength were measured by the bench press and seated leg extension machine. Maximum oxygen consumption by Rockport one-mile walk test [36], muscular endurance by Two-minute Step Test [37], and lower limb power by Ramp Power Test [38] were measured.

The training program consisted of twelve weeks of training with 2 Concurrent training sessions per week, including two 10-minute steps with a break between them for 3-5 minutes. The strength-aerobic with EMS group (SAT+EMS) performed resistance exercises, but the aerobic-strength with EMS group (AST+EMS) performed aerobic exercises in the first half of season training. In the circular with the EMS group (CT+EMS), the exercise priority was variable in each session [24]. In the circular without EMS group (CT), the order of exercises was rotational, but the electrical stimulation intervention was not performed.

Aerobic training was performed at 50-70% of the subjects' maximum oxygen consumption. Strength training included static and dynamic training for various muscle groups, including chest, shoulders, latissimus dorsi, arm, quadriceps and hamstrings, calf, abdomen, and back by the bodyweight, weights, and available equipment, TRX, and elastic bands.

In the present study, a frequency of 15-33 Hz was used for aerobic training. Also, in the strength part, a frequency with

Table 1. Demographic variables

Groups	No.	Steps	Mean±SD			
			Age (y)	Height (cm)	Weight (kg)	BMI (kg/m ²)
AST+EMS	10	Pre-test	64.40±3.37	158.88±4.92	70.43±3.59	27.90±0.86
		Post-test	-	-	66.80±4.50*	26.45±1.09*
SAT+EMS	10	Pre-test	65.70±3.06	156.10±4.43	69.15±3.28	28.38±0.78
		Post-test	-	-	66.93±3.16*	27.48±0.97*
CT+EMS	10	Pre test	63.30±2.98	156.92±3.37	69.60±3.18	28.27±1.16
		Post-test	-	-	65.98±4.52*	26.87±1.41*
CT	10	Pre-test	64.40±3.13	162.09±3.97	72.47±4.58	27.56±0.91
		Post-test	-	-	70.26±4.97*	26.72±1.16*
Control	10	Pre-test	66.30±2.31	159.82±3.13	72.67±4.01	28.44±0.99
		Post-test	-	-	73.82±4.10*	28.68±1.00*

Archives of
Rehabilitation

AST: Aerobic-strength training; SAT: Strength-aerobic training; CT: Circular training; EMS: Electromyostimulation; BMI: Body Mass Index; *P<0.05.

a range of 75-35 Hz was used [33, 42]. Impulse intensity in the present study was 80-100 mA which was individually assigned according to the participants for values of Rate of Perceived Exertion (RPE) and the Berg scale from 5 to 9 [26, 33, 43].

Impulse Width was adjusted between 200 and 400 μ sec in different exercise parts [33, 42]. Cycle Duty was planned 50-67% in the strength training section and 99% for the Cycle Duty in aerobic training [13, 33, 44]. The one-way ANOVA was used to examine the differences between groups. Statistical analysis was performed using SPSS V. 22, and a significance level ($P \leq 0.05$).

Results

The Shapiro-Wilk and Leven tests showed that data distribution was normal, and there was also a precondition for variance homogeneity between research groups. The table is related to the subjects' demographic variables, including age, weight, height, and body mass index for pre-test and post-test in the research groups.

After the training period, a significant reduction in weight and body mass index in the groups of aerobic-strength training with EMS ($P=0.004$), strength-aerobic training with EMS ($P=0.010$), circular training with EMS ($P<0.001$), and circular training without EMS ($P=0.002$) were observed

compared to baseline values; Also, a significant increase in weight and body mass index of subjects in the control group without exercise ($P=0.010$) was observed compared to baseline values (Table 1).

The results of the dependent t-test (Table 2) showed that after twelve weeks of intervention, there was a significant increase in VO_2 max, upper limb strength, lower limb strength, muscular endurance, and lower limb power in aerobic-strength training with the EMS group ($P<0.001$), strength-aerobic training with EMS group (respectively: $P<0.001$, $P<0.001$, $P=0.003$), Circular order training with EMS group ($P<0.001$) and Circular order training without EMS group (respectively: $P<0.001$, $P<0.001$, $P<0.001$, $P=0.010$) were observed. No significant difference was observed in any studied variables in the control group ($P>0.05$). The results of the analysis of covariance (Table 3) showed that there was a significant difference in the variables of VO_2 max, upper limb strength, lower limb strength, muscle endurance, and lower limb power between the research groups ($P<0.001$). Bonferroni post hoc test (Table 4) was used for further investigation and location of differences.

Discussion and Conclusion

After twelve weeks, a significant increase was observed in older women's physical performance in all groups' intervention compared to the control group. Investigating the

Table 2. Variables examined in pre-test and post-test

Steps	Variables	Mean±SD				
		AST+EMS	SAT+EMS	CT+EMS	CT	Control
Pre-test	VO ₂ max (ml/kg/min)	19.16±2.19	18.84±1.60	19.19±2.42	19.46±1.90	20.30±2.05
	Upper limb strength(kg)	32.55±4.80	30.38±4.54	35.01±5.30	23.28±5.13	32.73±5.59
	Lower limb strength (kg)	45.20±7.14	44.18±7.17	46.57±7.42	46.26±8.00	46.32±7.34
	Muscular endurance (n/2min)	78.90±12.41	79.10±12.39	80.60±11.44	77.00±11.31	77.90±13.94
	Lower limb Power (W)	116.91±16.41	103.86±16.06	111.28±13.62	113.85±17.86	122.05±18.95
Post-test	VO ₂ max (ml/kg/min)	25.80±2.27*	25.37±1.70*	25.48±2.06*	22.72±1.75*	20.12±2.10
	Upper limb strength (kg)	41.74±5.30*	41.96±7.39*	45.04±7.26*	40.50±6.73*	32.53±5.48
	Lower limb strength (kg)	62.64±8.80*	63.94±12.25*	64.86±11.43*	56.02±7.67*	46.07±8.35
	Muscular endurance (n/2min)	101.10±11.81*	104.10±14.15*	103.20±12.14*	95.00±10.47*	78.30±12.28
	Lower limb Power (W)	150.75±31.65*	136.94±31.74*	145.18±32.73*	134.89±12.84*	123.65±18.88

Archives of
Rehabilitation

AST: Aerobic-strength training; SAT: Strength-aerobic training; CT: Circular training; EMS: Electromyostimulation; BMI: Body Mass Index; VO₂Max: Maximum oxygen consumption; *P<0.05.

effect of sequence on aerobic capacity in training with EMS groups was significantly higher than the training without EMS group, but no difference was observed between EMS training groups. The results of research by Robles-Gonzalez et al. [31], Schenk et al. [32] also showed the effect of EMS training on improving VO₂max. Karatrantou et al. also stat-

ed that the sequence of exercise did not significantly affect changes in VO₂max of middle-aged women [45], which is consistent with the results of the present study.

Checking muscle strength was observed that changes in upper limb strength in the Strength-aerobic training with

Table 3. ANCOVA results

Variables	Source	Type III Sum of Squares	df	Mean Square	F	Sig.	Partial Eta Squared
VO ₂ max (ml/kg/min)	Contrast	291.133	4	72.783	41.924	<0.001*	0.792
	Error	76.382	44	1.736	-	-	-
Upper limb strength (kg)	Contrast	868.024	4	217.006	41.322	<0.001*	0.790
	Error	231.071	44	5.252	-	-	-
Lower limb strength (kg)	Contrast	2600.851	4	650.213	40.491	<0.001*	0.786
	Error	706.564	44	16.058	-	-	-
Muscular endurance (n/2min)	Contrast	3994.904	4	998.726	56.424	<0.001*	0.837
	Error	774.812	44	17.700	-	-	-
Lower limb Power (W)	Contrast	9775.202	4	2443.800	7.143	<0.001*	0.394
	Error	5052.690	44	342.107	-	-	-

*P<0.05.

Archives of
Rehabilitation

www.SID.ir

Table 4. Bonferroni test results

Group 1	Group 2	VO ₂ max	Upper Limb Strength	Lower Limb Strength	Muscular Endurance	Lower Limb Power
AST+EMS	SAT+EMS	1.000	0.104	1.000	1.000	1.000
	CT+EMS	1.000	1.000	1.000	1.000	1.000
	CT	<0.001*	0.469	<0.001*	0.264	0.102
	Control	<0.001*	<0.001*	<0.001*	<0.001*	0.002*
SAT+EMS	CT+EMS	1.000	0.325	0.074	1.000	1.000
	CT	<0.001*	<0.001*	<0.001*	0.005*	0.070
	Control	<0.001*	<0.001*	<0.001*	<0.001*	0.003*
CT+EMS	CT	0.002*	0.192	0.032*	0.139	0.073
	Control	<0.001*	<0.001*	<0.001*	<0.001*	0.003*
CT	Control	<0.001*	<0.001*	<0.001*	<0.001*	1.000

*P<0.05.

Archives of
Rehabilitation

EMS group were significantly more significant than the circular training without EMS group, which indicates the priority role of sequence for upper body strength training at the beginning of training, which is consistent with results if research by Shiatsu et al. [46]. An increase in lower torso strength was more significant in the groups with EMS than the group without EMS. However, no difference was observed between the training with EMS groups, which indicates that the sequence of exercise in EMS training did not affect lower muscles. Murlasits et al. in a meta-analysis, stated that 1RM of lower limbs in strength- endurance sequence training was more than the endurance-strength sequence, which is not consistent with the results of the present study [22]. Although the increase in strength was more significant in the training group with the priority of strength training in the EMS group, this difference was not significant compared to other EMS groups. Probably the reason for the difference in results is due to the difference in the type of exercise and using EMS along with voluntary exercises, which leads to maximum recall in the motor units, and as a result, there is a more significant increase in strength than usual exercises.

The results obtained in the strength-aerobic training with the EMS group were significantly higher than the training without the EMS group. The results of the study of Karantantou et al. after eight weeks of training showed no significant difference in muscle endurance between the two groups with different training sequences [45], which was somewhat consistent with the results of the present study. In the present study, although no difference was observed

between two groups of aerobic-strength training with the EMS group and strength-aerobic training with the EMS group, compared with the circular training without EMS group, the results indicate the effectiveness of resistance training at the beginning of the concurrent training.

After concurrent training with EMS, a significant increase in Lower limb power in older women was observed compared to the control group, but in the concurrent training without EMS group, no significant difference was observed compared to the control group. Wilhelm et al. did not report a significant difference between the two groups of concurrent training (aerobic and power-like strength training) after 12 weeks [19]. In the present study, in the concurrent training without EMS group, there was no difference in muscle power impaired to control group; however, in the concurrent training with EMS group, although the training time was shorter than Wilhelm's study, an increase in lower torso power was observed which indicates EMS training was more effective on muscle power than conventional concurrent training. Also, Chtara et al. reported that the sequence of exercise did not significantly affect muscle strength [48], which is consistent with the results of the present study.

Overall, the present study results showed that EMS, along with concurrent training, made better effective. Studying the effect of training sequence showed that although there was no significant difference between the concurrent with EMS groups, the sequence of EMS training with the priority of resistance training had a better effect on the maximum strength of upper body muscles and muscle endurance.

EMS interventions along with combined exercises are also needed to improve lower limb power. Considering the present study results indicate an increase in motor function and muscle power in older women, this EMS training style can increase muscle power and reduce age-related disabilities in older women.

Ethical Considerations

Compliance with ethical guidelines

This study was approved by the Ethics Committee of the Shahid Chamran University of Ahvaz (Code: EE/98.24.3.60529/ssu.ac.ir). All ethical principles are considered in this article. The participants were informed of the purpose of the research and its implementation stages. They were also assured about the confidentiality of their information and were free to leave the study whenever they wished, and if desired, the research results would be available to them.

Funding

This article was extracted from the PhD. dissertation of the first author at Department of Exercise Physiology, Faculty of Sport Sciences, Shahid Chamran University of Ahvaz, Ahvaz.

Authors' contributions

Validation, conceptualization, case management: Mehri Derakhshan Nejad, Masoud Nikbakht, Ghanbarzadeh, Rouhollah Ranjbar; Methodology, editing, investigation and finalization: Mehri Derakhshan Nejad, Masoud Nikbakht; Drafting: Mehri Derakhshan Nejad.

Conflict of interest

The authors declared no conflict of interest.

This Page Intentionally Left Blank

مقاله پژوهشی

اثر ترتیب تمرین موازی به همراه تحریک الکتریکی عضلانی بر عملکرد جسمانی زنان سالمند جوان

*مهری درخشان نژاد^۱، مسعود نیکبخت^۱، محسن قنبرزاده^۱، روح‌الله رنجبر^۱

۱. گروه فیزیولوژی ورزشی، دانشکده علوم ورزشی، دانشگاه شهید چمران اهواز، اهواز، ایران.

چکیده

تاریخ دریافت: ۶ تیر ۱۳۹۹

تاریخ پذیرش: ۲ شهریور ۱۳۹۹

تاریخ انتشار: ۱۲ دی ۱۳۹۹

اهداف: سالمندی یکی از مراحل زندگی است که به دلیل شرایط ویژه این دوره از زندگی، نیاز به توجه ویژه دارد. کم‌تحرکی و ضعف عضلانی ناشی از سالخوردگی از عوامل مهم کاهش آمادگی جسمانی و عملکردی سالمندان هستند که می‌تواند کیفیت زندگی آن‌ها را کاهش دهد. از طرفی تحریک الکتریکی عضلانی (EMS) یکی از شیوه‌های مدرن تمرینی است که می‌تواند برای افراد کم‌توان مانند سالمندان مناسب باشد. همچنین ترتیب تمرین در تمرینات موازی یکی از متغیرهای تمرین است که می‌تواند بر سازگاری‌های ایجادشده در اثر تمرین مؤثر باشد. هدف تحقیق حاضر مقایسه اثر ترتیب تمرین در تمرینات موازی به همراه EMS بر عملکرد حرکتی زنان سالمند است.

روش بررسی: در تحقیق نیمه‌تجربی حاضر که به صورت یک‌سوکور انجام شد، پنجاه زن سالمند سالم داوطلب با دامنه سنی ۶۰-۷۰ سال به روش نمونه‌گیری تصادفی انتخاب شدند و به صورت تصادفی به گروه‌های (هر گروه ده نفر) تمرین موازی مقاومتی به همراه EMS، تمرین مقاومتی موازی به همراه EMS، تمرین چرخشی (تغییر اولویت به صورت تناوبی در جلسات تمرین) به همراه EMS، چرخشی و کنترل (بدون تمرین) تقسیم شدند. پروتکل تمرین شامل دوازده هفته تمرین و سه جلسه تمرین در هفته بود. هر جلسه تمرین شامل سه مرحله گرم کردن (۱۰-۱۵ دقیقه، تمرینات اصلی (۲۰ دقیقه) و سرد کردن (۱۰ دقیقه) بود. برنامه تمرین اصلی شامل ۲۰ دقیقه تمرینات ترکیبی موازی بود که به صورت دو مرحله ۱۰ دقیقه‌ای با استراحت ۳-۵ دقیقه‌ای بین مراحل تمرین اجرا شد. تمرینات ایروبیکی با شدت ۵۰-۷۰ درصد حداکثر اکسیژن مصرفی و تمرینات مقاومتی با استفاده از تمرینات با وزن بدن و کش‌های الاستیک برای گروه‌های عضلانی مختلف انجام شد. برنامه تمرین از نظر حجم و شدت برای همه گروه‌ها یکسان بود، تنها تفاوت در ترتیب تمرین و ارائه EMS بود. قدرت عضلات بالاتنه و پایین‌تنه به ترتیب با آزمون پرس سینه و اکستنشن زانو نشسته، حداکثر اکسیژن مصرفی (VO_{2max}) با آزمون یک مایل پیاده‌روی راکپورت، استقامت عضلانی با آزمون ۲ دقیقه گام برداشتن در پجا و توان پایین‌تنه با آزمون راه رفتن روی سطح شیب‌دار در دو مرحله قبل و پس از مداخله تحقیق اندازه‌گیری شدند. تجزیه و تحلیل آماری با استفاده از آزمون‌های تی وابسته و تحلیل کوواریانس و آزمون تعقیبی بونفرونی با استفاده از نرم‌افزار SPSS نسخه ۲۲ و سطح معنی‌داری ($P \leq 0.05$) انجام شد.

یافته‌ها: پس از دوره تمرین، افزایش معنی‌داری در همه متغیرهای وابسته اندازه‌گیری‌شده نسبت به مقادیر پایه مشاهده شد ($P < 0.001$). افزایش معنی‌داری نیز در سطح VO_{2max} ، قدرت بالاتنه و پایین‌تنه و استقامت عضلانی در همه گروه‌های آزمایش نسبت به گروه کنترل مشاهده شد ($P < 0.001$). اما توان پایین‌تنه فقط در گروه‌های آزمایش به همراه EMS نسبت به گروه کنترل معنی‌دار بود ($P < 0.001$). تغییرات VO_{2max} و قدرت پایین‌تنه در گروه‌های آزمایش به همراه EMS به صورت معنی‌داری نسبت به گروه بدون EMS بیشتر بود ($P < 0.001$). همچنین قدرت بالاتنه و استقامت عضلات پایین‌تنه در گروه با اولویت تمرین مقاومتی به همراه EMS نسبت به گروه ترکیبی بدون EMS بیشتر بود ($P < 0.001$).

نتیجه‌گیری: با توجه به نتایج می‌توان گفت که تمرینات ترکیبی موازی روش مفیدی در ارتقای آمادگی جسمانی و عملکرد جسمانی زنان سالمند است و استفاده از EMS می‌تواند موجب افزایش اثر سازگاری‌های حاصل از تمرین به‌خصوص توان پایین‌تنه در سالمندان باشد و می‌تواند از عوارض مرتبط با ضعف عضلانی جلوگیری کند. از طرفی ترتیب تمرین با اولویت تمرین مقاومتی می‌تواند بر افزایش اثر تمرین بر متغیرهای قدرت عضلات بالاتنه و استقامت عضلانی مؤثر باشد، ولی بر قدرت عضلات پایین‌تنه، استقامت قلبی‌تنفسی و توان پایین‌تنه اثر معنی‌داری ندارد.

کلیدواژه‌ها:

زنان، سالمند، تمرین ورزشی، تحریک الکتریکی عضلانی، عملکرد جسمانی

* نویسنده مسئول:

دکتر مهری درخشان‌نژاد

نشانی: اهواز، دانشگاه شهید چمران اهواز، دانشکده علوم ورزشی، گروه فیزیولوژی ورزشی.

تلفن: ۶۰۱۹۵۳ (۹۱۶) ۹۸+

رایانامه: derakhshan1959@gmail.com

مقدمه

تمرین است که اطلاعات محدودی در مورد این متغیر تمرینی وجود دارد [۱۶]. همچنین نتایج تحقیقات انجام شده در خصوص اثر ترتیب تمرین بر فاکتورهای فیزیولوژیک و عملکردی نیز متفاوت است؛ برای مثال در برخی مطالعات ترتیب تمرین اثر معنی داری بر کسب قدرت [۱۷-۱۹]، ترکیب بدنی [۲۰، ۲۱] و توان هوازی [۲۱، ۲۲] نداشته است؛ در حالی که برخی تحقیقات حاکی از اثربخشی بیشتر تمرینات ترکیبی (در صورت اولویت تمرین با تمرینات قدرتی) بر دستاوردهای قدرت [۱۶، ۲۲، ۲۳] و توان هوازی [۱۸، ۲۳] بوده‌اند، ولی در برخی تحقیقات نتایج به صورتی بود که نشان دهنده اثربخشی بیشتر تمرینات استقامتی مقاومتی بر بهبود قدرت [۱۸]، ترکیب بدنی [۲۳] و توان هوازی [۲۴] نسبت به تمرینات مقاومتی هوازی بود.

از طرف دیگر سالمندان معمولاً به شدت‌های بالای تمرینات ورزشی مخصوصاً تمرینات مقاومتی که برای افزایش قدرت عضلانی و افزایش توده بدن توصیه می‌شود، تمایلی ندارند و ممکن است استفاده از بارهای سنگین در تمرین مقاومتی با افزایش خطر آسیب دیدگی نیز همراه باشد [۱۵]. یکی از روش‌های مکمل برای دست‌یابی به شدت بالاتر تمرین استفاده از روش‌های مکمل در تمرین است؛ یکی از این روش‌های تمرینی مکمل استفاده از طریق تحریک الکتریکی عضلانی^۲ در کنار تمرینات ارادی است که موجب فراخوانی حداکثری در واحدهای عضلانی می‌شود [۲۵]. با توجه به اینکه در برنامه تمرینی سالمندان با محدودیت‌هایی از جمله آمادگی جسمانی پایین و عوارض سالمندی نظیر دردهای اسکلتی عضلانی روبه‌رو هستیم، این سبک تمرینات می‌تواند برای افراد سالمند نیز کاربرد داشته باشد [۱۳]. در همین خصوص کملر و همکاران عنوان کردند که تمرین EMS موجب افزایش توده عضلانی، کاهش درصد چربی بدن و بهبود عملکرد در سالمندان می‌شود و این روش تمرینی برای سالمندان ایمن است [۲۶]. همچنین نتایج تحقیقات کملر و همکاران [۱۳]، ایواساکی و همکاران [۲۷]، گاندین و همکاران [۲۸]، مافیولتی و همکاران [۲۹] و بایبکی [۳۰] حاکی از اثربخشی تمرینات EMS بر حجم عضلات و کیفیت عضلانی در آزمون‌های عملکردی نسبت به تمرینات ورزشی به‌تنهایی است. همچنین نتایج تحقیقات رابرز گونزالس و همکاران [۳۱] و اسپچنک و همکاران [۳۲] حاکی از اثر بخشی این سبک تمرینات در بهبود عملکرد قلبی‌عروقی در افراد سالم و بیمار است.

تحقیقات انجام شده نشان دهنده اهمیت تمرینات ورزشی به‌خصوص تمرینات ترکیبی هم‌زمان برای افزایش ظرفیت‌های عملکردی و سطح سلامت سالمندان است [۳۳]. از طرفی نتایج تحقیقات انجام شده در خصوص تمرینات EMS این سبک تمرینات را برای سالمندان مفید و ایمن معرفی کرده است که نشان دهنده اهمیت و کاربرد تکنولوژی‌های جدید در

سالمندی بخشی از فرایند زیستی است که تمام موجودات زنده از جمله انسان را دربر می‌گیرد و از مراحل حساس زندگی انسان است که رسیدگی به مسائل آن اهمیت خاصی دارد [۱]. طبق نتایج سرشماری نفوس و مسکن مرکز آمار ایران در سال ۱۳۹۵، حدود ۴ میلیون و ۹۰۰ هزار نفر از جمعیت ایران بیشتر از ۶۵ سال دارند که معادل ۶/۰۹ درصد از کل جمعیت ایران است. همچنین پیش‌بینی می‌شود که جمعیت سالمندان ایران در سال ۲۰۲۵ به ۱۱/۳ درصد و در سال ۲۰۵۰ به ۲۲ درصد کل جمعیت کشور برسد [۲]. روند افزایش سن و پیری به دلیل هم‌زمانی کم‌تحرکی و افزایش رسوب چربی احشایی شکمی و کاهش توده عضلانی، زنان و مردان سالخورده را بیشتر در معرض ابتلا به سندرم متابولیک و بیماری‌های مزمن مانند دیابت و بیماری‌های قلبی‌عروقی قرار می‌دهد [۳] که می‌تواند موجب افزایش مورتالیتی و موربیدیتی ناشی از این بیماری‌ها در سالمندان شود [۴، ۵]؛ این مسئله نشان دهنده نیاز به مراقبت‌های ویژه برای پیشگیری از بیماری‌ها و همچنین افزایش آمادگی جسمانی برای بهبود عملکرد حرکتی و افزایش کیفیت زندگی سالمندان است [۶، ۷].

در دوران سالمندی شیوه زندگی بی‌تحرک و افزایش چربی بدن به دلیل اختلال در عملکرد میتوکندری‌ها می‌تواند خطر ابتلا به بیماری‌های مختلف از جمله خطر حمله قلبی، آرتروز، دیابت نوع ۲، سکته مغزی، فشار خون بالا و سایر بیماری‌ها را افزایش دهد [۸، ۹] بنابراین ورزش و فعالیت بدنی می‌تواند به عنوان یک راهکار پیشگیرانه برای جلوگیری از عوارض سالمندی نقش داشته باشد [۱۰، ۱۱]. در خصوص اهمیت فعالیت بدنی در سالمندان هاپین و همکاران عنوان کردند که فعالیت بدنی با دُزهای تمرینی سبک، متوسط تا شدید موجب کاهش مرگومیر ۲۲ درصدی در سالمندان بالای ۶۰ سال می‌شود [۱۲].

یکی از مهم‌ترین اهداف سلامت عمومی، کاهش ناتوانی‌های وابسته به افزایش سن در این دوران است [۱۰، ۱۳]. با توجه به کاهش ظرفیت‌های عملکردی و کاهش توده عضله بدن در این سن، فعالیت بدنی توصیه شده برای سالمندان ترکیبی از تمرینات هوازی به منظور بهبود ظرفیت قلبی‌عروقی و تمرینات مقاومتی به عنوان یک اقدام مؤثر در مقابل سارکوپنیا و بهبود عملکرد عصبی عضلانی در این افراد است [۱۴]. با توجه به اینکه یکی از محدودیت‌های شرکت در تمرینات، زمان تمرین است؛ برخی از افراد به انجام تمرین ترکیبی در یک جلسه روی می‌آورند. دستورالعمل‌های تمرینی برای افراد مسن حاکی از تأکید بر تمرینات ترکیبی هم‌زمان^۱ (هوازی مقاومتی) است [۱۴، ۱۵].

یکی از متغیرهای اصلی در تمرینات ترکیبی هم‌زمان ترتیب

2. Electro Myo Stimulation (EMS)

1. Concurrent training

۷۲ ساعت پس از آخرین جلسه تمرین نیز پس از آزمون به همان ترتیب پیش‌آزمون انجام شد. مشخصات آنتروپومتریک: وزن و شاخص توده بدن با استفاده از دستگاه ارزیابی ترکیب بدن و قد آزمودنی‌ها با استفاده از قدسنج و بدون کفش اندازه‌گیری شد.

قدرت بیشینه: حداکثر قدرت بالاتنه با حرکت پرس سینه و حرکت جلوران با دستگاه به صورت نشسته (اکستنشن زانو) برای برآورد قدرت اندام تحتانی اندازه‌گیری شدند. سپس قدرت بیشینه هر فرد (یک تکرار بیشینه) بر اساس وزنه و تعداد تکرار حرکت و با استفاده توسط فرمول برزیسکی [۳۵] (فرمول شماره ۲) محاسبه شد.

۲.

(تکرار $0.278 \times 0.278 - 1/0.278$) / وزنه انتخابی = یک تکرار بیشینه

حداکثر اکسیژن مصرفی: حداکثر اکسیژن مصرفی با استفاده از آزمون یک مایل پیاده‌روی راکپورت^۷ سنجیده شد. در این آزمون، هر فرد مسافت یک مایل را با حداکثر سرعت راه رفتن، انجام داد و زمان طی مسیر و همچنین ضربان قلب پس از تمرین با استفاده از ضربان‌سنج پولار اندازه‌گیری و با استفاده از فرمول محاسبه شد [۳۶].

استقامت عضلانی: استقامت عضلانی با آزمون ۲ دقیقه گام برداشتن^۸ محاسبه شد [۳۷]. ارتفاع گام در هر فرد با توجه به اندازه نصف فاصله کشکک زانو و تاج خاصره^۹ اندازه‌گیری و در کنار دیوار علامت‌گذاری شد. تعداد گام‌ها در ۲ دقیقه به صورت درجا، تا ارتفاع سطح علامت‌گذاری شده به عنوان استقامت عضلانی در نظر گرفته شد.

توان پایین‌تنه: توان پایین‌تنه با راه رفتن روی سطح شیب‌دار^{۱۰} محاسبه شد. زمان طی شده از لمس اولین پد در سطح شیب‌دار تا آخرین پد (فاصله ۳/۷۹ متر و ارتفاع ۳۳ سانتی‌متر) به عنوان توان پایین‌تنه در نظر گرفته شد. فاصله خط شروع از لبه پد اول ۴ متر بود. سپس توان پایین‌تنه با استفاده از فرمول مندرج در تصویر شماره ۱، اندازه‌گیری شد [۳۸].

برنامه تمرین

در تحقیق حاضر مداخله تمرینی شامل دوازده هفته تمرین به صورت سه جلسه تمرین ترکیبی در هفته شامل دو مرحله ۱۰ دقیقه‌ای با ۳-۵ دقیقه استراحت بین مراحل تمرین بود. برنامه تمرین در همه گروه‌های تحقیق یکسان در نظر گرفته شد و تنها متغیر تمرینی، ترتیب تمرین بود که در گروه‌های مداخلات تمرینی متفاوت بود. ترتیب تمرین در گروه‌های مداخله تمرین به همراه EMS به صورتی بود که علاوه بر مداخله EMS

کنار تمرینات ورزشی سنتی است. با توجه به کمبود اطلاعات و متناقض بودن نتایج تحقیقات در خصوص اثر ترتیب تمرین بر عملکرد جسمانی و همچنین نبودن تحقیقی که به صورت خاص به بررسی اثر ترتیب تمرین در تمرینات ترکیبی به همراه EMS پرداخته باشد، انجام تحقیق حاضر ضرورت می‌یابد. با توجه به مطالب گفته‌شده تحقیق حاضر با هدف بررسی اثر ترتیب تمرینات ترکیبی همراه با EMS بر عملکرد جسمانی زنان سالمند جوان طراحی شد.

روش بررسی

شرکت‌کنندگان

در تحقیق نیمه‌تجربی حاضر که به صورت یک‌سوکور^۳ انجام شد، پس از اعلام فراخوان در منطقه کیانیارس اهواز، از بین زنان سالمند غیرفعال سالم که شرایط ورود به تحقیق را داشتند، پنجاه نفر داوطلب به روش نمونه‌گیری تصادفی^۴ انتخاب شدند و پس از امضای رضایت‌نامه به صورت تصادفی به گروه‌های تمرین مقاومتی هوازی به همراه EMS، هوازی مقاومتی به همراه EMS، چرخشی به همراه EMS، چرخشی بدون EMS و گروه کنترل تقسیم شدند. حجم نمونه با توجه به مطالع مردانیپور و همکاران [۳۴] و فرمول شماره ۱، پنجاه نفر محاسبه شد.

۱.

$$n = \frac{(Z_{1-\frac{\alpha}{2}} + Z_{1-\beta})^2 (S_1^2 + S_2^2)}{(\bar{X}_1 - \bar{X}_2)^2}$$

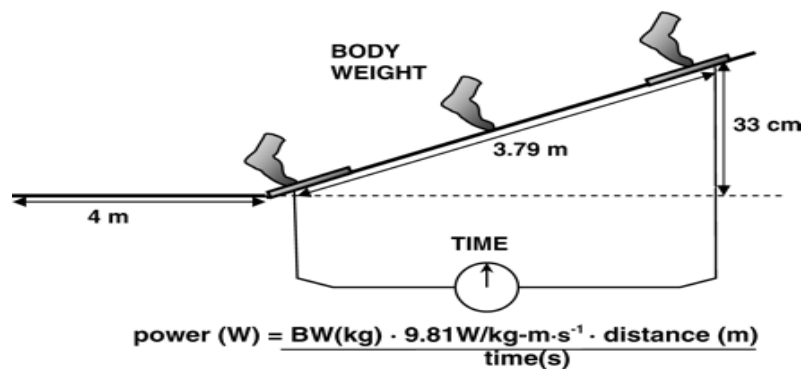
در این تحقیق شرایط ورود به تحقیق شامل زنان سالمند جوان با دامنه سنی ۶۰-۷۰ سال، قرارگیری در زمره کم‌خطر که با استفاده از پرسش‌نامه آمادگی انجام فعالیت بدنی^۵ حاصل شد عدم مصرف هرگونه دارو یا مکمل گیاهی و شیمیایی و عدم ابتلا به بیماری‌های خاص و عدم شرکت در برنامه‌های ورزشی منظم بود و شرایط خروج از تحقیق نیز شامل عدم رضایت برای ادامه تحقیق، عدم پیروی از برنامه مداخله تمرین، غیبت در جلسات تمرین و بروز هرگونه بیماری یا عارضه که بنابر تشخیص پزشک ناظر و با توجه به اهمیت سلامت آزمودنی‌ها، آن‌ها را از ادامه تمرین منع کند.

اندازه‌گیری‌ها

یک هفته قبل از شروع تمرینات، سه جلسه آشنایی با برنامه تمرینی برای آزمودنی‌ها گذاشته شد و در جلسه دیگر شاخص‌های تن‌سنجی^۶ و عملکردی آزمودنی‌ها اندازه‌گیری شد.

7. Rockport
8. Minute Step Test
9. Iliac crest
10. Ramp Power TEST

3. Single Blind
4. Random sampling
5. Physical Activity Readiness Questionnaire (PAR-Q)
6. Anthropometric indices



تصویر ۱. تصویر دیاگرام آزمون توان پایین‌تنه

توانبخشی

درک‌شده^{۱۱} از مقیاس برگ از ۵ تا ۹ استفاده شد [۲۶، ۳۳، ۴۳]. پهنای باند^{۱۲}: این پارامتر بین ۲۰۰ تا ۴۰۰ میکروثانیه و به صورت قسمت‌بندی‌های مختلف در تمرین تنظیم شد [۳۳، ۴۲].

چرخه کار^{۱۳}: در تحقیق حاضر در قسمت تمرین مقاومتی با توجه به شواهد علمی یک دوره کاری، ۵۰ تا ۶۷ درصد و چرخه کار در تمرین هوازی ۹۹ درصد برنامه‌ریزی شد [۱۳، ۳۳، ۴۴].

روش‌های آماری

از آزمون‌های آماری توصیفی (فراوانی، میانگین و انحراف معیار) و آزمون شاپیرو ویلک برای بررسی طبیعی بودن اطلاعات و از آزمون لون برای بررسی تجانس واریانس‌ها استفاده شد. برای بررسی تغییرات بین‌گروهی از آزمون تحلیل واریانس یک‌سویه استفاده شد. تجزیه و تحلیل آماری با استفاده از نرم‌افزار SPSS نسخه ۲۲ و سطح معنی‌داری $P < 0.05$ انجام شد.

یافته‌ها

نتایج آزمون‌های شاپیرو ویلک و لون نشان داد که توزیع داده‌ها نرمال است و همچنین پیش‌شرط تجانس واریانس‌ها بین گروه‌های تحقیق وجود داشت. جدول شماره ۱، مربوط به متغیرهای جمعیت‌شناختی آزمودنی‌ها شامل سن، وزن، قد و شاخص توده بدن در دو مرحله پیش‌آزمون و پس‌آزمون در گروه‌های تحقیق است. پس از دوره تمرین، کاهش معنی‌داری در وزن و شاخص توده بدنی در گروه‌های تمرین هوازی مقاومتی به همراه EMS ($P=0.004$)، تمرین مقاومتی هوازی به همراه EMS ($P=0.010$)، تمرین چرخشی به همراه EMS ($P < 0.001$) و تمرین چرخشی بدون EMS ($P=0.002$) نسبت به مقادیر پایه مشاهده شد؛ همچنین افزایش معنی‌داری در وزن و شاخص توده بدنی آزمودنی‌ها در گروه کنترل بدون تمرین ($P=0.010$) نسبت به مقادیر پایه مشاهده شد.

گروه تمرین مقاومتی هوازی به همراه EMS در نیمه اول تمرین، تمرینات مقاومتی انجام شد. در گروه تمرین هوازی مقاومتی به همراه EMS در مرحله اول تمرینات هوازی انجام شد. در گروه چرخشی به همراه EMS نیز اولویت تمرین در هر جلسه متغیر بود [۳۹]. در گروه چرخشی نیز ترتیب تمرین به صورت چرخشی انجام شد، آزمودنی‌ها لباس EMS را به تن داشتند، اما مداخله تحریک الکتریکی انجام نشد. گروه کنترل نیز گروهی بود که هیچ‌گونه مداخله تمرین نداشتند و در طول دوره تحقیق همان سبک زندگی سابق خود را ادامه دادند.

تمرینات ورزشی در ساعت ۸-۱۰ صبح و تحت نظارت پژوهشگر و مربی مخصوص تمرینات EMS انجام شد. همه آزمودنی‌ها در یک استودیو تمرینی، تمرینات را انجام می‌دادند.

تمرینات ایروبی با شدت ۵۰-۷۰ درصد حداکثر اکسیژن مصرفی آزمودنی‌ها انجام شد. تمرینات مقاومتی نیز شامل تمرینات ایستا و پویای مقاومتی برای گروه‌های مختلف عضلانی شامل عضلات سینه، سرشانه، پشتی بزرگ، بازو، جلو و پشت ران، ساق پا، شکم و پشت بود که با استفاده از وزن بدن، وزنه و دستگاه‌های موجود، تی آر ایکس و کش‌های الاستیک انجام شدند.

مداخله EMS

فرکانس: با توجه به رده سنی آزمودنی‌ها که سالمندان جوان با دامنه سنی ۶۰-۷۰ سال بودند و با توجه به اینکه سالمندی با کاهش حجم عضلانی، به خصوص تارهای نوع II همراه است [۴۰، ۴۱]، مشخص شده است که فرکانس ایده‌آل برای تحریک تارهای نوع ۷-۳۳، ۱، هرتز است [۴۲]؛ بنابراین، در تحقیق حاضر از فرکانس ۱۵-۳۳ هرتز به عنوان تحریک الکتریکی در قسمت تمرین هوازی استفاده شد. همچنین، فرکانس بهینه برای فراخوانی تارهای نوع II فرکانس ۳۵-۱۰۰ است. در تحقیق حاضر نیز در قسمت مقاومتی از فرکانس با دامنه ۳۵-۷۵ هرتز استفاده شد [۳۳، ۴۲].

شدت: شدت ایمپالس در تحقیق حاضر ۸۰-۱۰۰ میلی‌آمپر بود که به صورت انفرادی مطابق با شرکت‌کنندگان برای میزان فشار

11. Values of rate of perceived exertion (RPE)
12. Impulse Width
13. Cycle Duty

جدول ۱. مشخصات جمعیت‌شناختی آزمودنی‌ها

گروه	تعداد (n)	مرحله	سن (سال)	وزن (kg)	قد (cm)	BMI (kg/m ²)
AST+EMS	۱۰	پیش‌آزمون	۶۴/۴۰±۳/۳۷	۷۰/۴۳±۳/۵۹	۱۵۸/۸۸±۴/۹۴	۲۷/۹۰±۰/۸۶
		پس‌آزمون	-	۶۶/۸۰±۴/۵۰*	-	-
SAT+EMS	۱۰	پیش‌آزمون	۶۵/۷۰±۳/۰۶	۶۹/۱۵±۳/۲۸	۱۵۶/۱۰±۴/۳۳	۲۸/۳۸±۰/۷۸
		پس‌آزمون	-	۶۶/۹۳±۳/۱۶*	-	-
CT+EMS	۱۰	پیش‌آزمون	۶۳/۳۰±۲/۹۸	۶۹/۶۰±۳/۱۸	۱۵۶/۹۲±۳/۳۷	۲۸/۲۷±۱/۱۶
		پس‌آزمون	-	۶۵/۹۸±۴/۵۳*	-	-
CT	۱۰	پیش‌آزمون	۶۴/۴۰±۳/۱۳	۷۲/۴۷±۴/۵۸	۱۶۲/۰۹±۳/۹۷	۲۷/۵۶±۰/۹۱
		پس‌آزمون	-	۷۰/۲۶±۴/۹۷*	-	-
کنترل	۱۰	پیش‌آزمون	۶۶/۳۰±۲/۳۱	۷۲/۶۷±۴/۰۱	۱۵۹/۸۲±۳/۱۳	۲۸/۴۴±۰/۹۹
		پس‌آزمون	-	۷۳/۸۲±۴/۱۰*	-	-

توانبخشی

AST: تمرین هوازی مقاومتی؛ SAT: تمرین مقاومتی هوازی؛ CT: تمرین چرخشی؛ EMS: تحریک الکتریکی عضلانی. * (P<۰/۰۵)

که پس از دوازده هفته تمرینات ورزشی ترکیبی به‌تنهایی و به همراه EMS، بهبود معنی‌داری در متغیرهای VO₂max، قدرت بالاتنه، قدرت پایین‌تنه، استقامت عضلانی و توان پایین‌تنه زنان سالمند نسبت به گروه کنترل ایجاد شده است که نشان‌دهنده نقش مثبت تمرینات ورزشی بر بهبود عملکرد جسمانی در زنان سالمند است. در بررسی اثر ترتیب تمرین بر توان هوازی بیشترین تغییرات به ترتیب در گروه تمرین هوازی مقاومتی به همراه EMS، تمرین مقاومتی هوازی به همراه EMS، تمرین چرخشی به همراه EMS و تمرین چرخشی مشاهده شد و تغییرات VO₂max در گروه‌های تمرینات ترکیبی به همراه EMS نسبت به گروه تمرین ترکیبی نسبت به گروه تمرین بدون EMS به صورت معنی‌داری بیشتر بود، ولی تفاوتی بین گروه‌های EMS مشاهده نشد. رابلز گونزالس و همکاران نیز گزارش کردند که شش هفته تمرین EMS موجب بهبود معنی‌داری در متغیرهای مرتبط با VO₂max در ورزشکاران جوان شد [۳۱]. اسچنک و همکاران نیز پس از تمرینات EMS افزایش VO₂max را در بیماران مبتلا به نارسایی احتقانی قلب^{۱۴} گزارش کردند [۳۲] که نتایج این تحقیقات با نتایج تحقیق حاضر هم‌خوانی دارد. کاراترانتور و همکارانش نیز عنوان کردند که ترتیب تمرین اثر معنی‌داری بر تغییرات VO₂max زنان میانسال ندارد [۴۵] که با نتایج تحقیق حاضر هم‌خوانی دارد.

در بررسی قدرت عضلانی بالاتنه بیشترین تغییرات به ترتیب در گروه تمرین مقاومتی هوازی به همراه EMS، تمرین چرخشی به همراه EMS، تمرین هوازی مقاومتی به همراه EMS و تمرین

جدول شماره ۲، سطوح متغیرهای VO₂max، قدرت بیشینه بالاتنه (آزمون پرس سینه روی نیمکت)، قدرت بیشینه پایین‌تنه (آزمون اکستنشن زانو)، استقامت عضلانی پایین‌تنه (تعداد گام درجا در ۲ دقیقه)، توان پایین‌تنه (آزمون دویدن روی شیب) را نشان می‌دهد که به تفکیک زمان پیش‌آزمون، پس‌آزمون و میزان تغییرات نسبت به سطوح پایه در گروه‌ها ارائه شده است.

نتایج آزمون تی وابسته (جدول شماره ۲) پس از دوازده هفته مداخله، افزایش معنی‌داری را در سطوح متغیرهای VO₂max، قدرت بیشینه بالاتنه، قدرت بیشینه پایین‌تنه، استقامت عضلانی و توان پایین‌تنه در گروه‌های هوازی مقاومتی به همراه EMS (P<۰/۰۰۱)، مقاومتی هوازی به همراه EMS (به ترتیب: P<۰/۰۰۱، P<۰/۰۰۱، P<۰/۰۰۱، P<۰/۰۰۳)، ترتیب چرخشی به همراه EMS (P<۰/۰۰۱) و تمرین چرخشی بدون EMS (به ترتیب: P<۰/۰۰۱، P<۰/۰۰۱، P<۰/۰۰۱، P=۰/۰۱۰) نشان داد، ولی تفاوت معنی‌داری در هیچ‌کدام از متغیرهای مورد بررسی در گروه کنترل مشاهده نشد (P<۰/۰۵).

نتایج آزمون تحلیل کواریانس (جدول شماره ۳) تفاوت معنی‌داری در متغیرهای VO₂max، قدرت بالاتنه، قدرت پایین‌تنه، استقامت عضلانی و توان پایین‌تنه بین گروه‌های تحقیق نشان داد (P<۰/۰۰۱). به منظور بررسی‌های بیشتر و محل تفاوت از آزمون تعقیبی بونفرونی (جدول شماره ۴) استفاده شد.

بحث

در مطالعه حاضر تأثیر ترتیب تمرین در تمرینات ترکیبی موازی به همراه EMS در زنان سالمند جوان بررسی شد. نتایج نشان داد

جدول ۲. متغیرهای مورد بررسی در پیش‌آزمون و پس‌آزمون

مرحله	گروه	میانگین ± انحراف معیار			
		CT	CT+EMS	SAT+EMS	AST+EMS
پیش‌آزمون	VO ₂ max (ml/kg/min)	۱۹/۴۶ ± ۱/۹۰	۱۹/۹۹ ± ۲/۴۲	۱۸/۸۴ ± ۱/۶۰	۱۹/۱۶ ± ۲/۱۹
	قدرت بیشینه بالاتنه (kg)	۳۲/۷۳ ± ۵/۵۹	۳۵/۰۱ ± ۵/۳	۳۰/۲۸ ± ۴/۵۴	۳۲/۵۵ ± ۴/۸۰
	قدرت بیشینه پایین‌تنه (kg)	۴۶/۳۲ ± ۷/۳۴	۴۶/۵۷ ± ۷/۴۲	۴۴/۱۸ ± ۷/۱۷	۴۵/۲ ± ۷/۱۴
	استقامت عضلانی (n/2min)	۷۷/۹۰ ± ۱۳/۹۴	۸۰/۶۰ ± ۱۱/۴۴	۷۹/۱۰ ± ۱۲/۳۹	۷۸/۹۰ ± ۱۲/۴۱
	توان پایین‌تنه (W)	۱۲۲/۰۵ ± ۱۸/۹۵	۱۱۳/۸۵ ± ۱۷/۸۶	۱۰۲/۸۶ ± ۱۶/۰۶	۱۱۶/۹۱ ± ۱۶/۴۱
پس‌آزمون	VO ₂ max (ml/kg/min)	۲۰/۱۲ ± ۲/۱۰	۲۵/۴۸ ± ۲/۰۶*	۲۵/۳۷ ± ۱/۷۰*	۲۵/۸۰ ± ۲/۲۷*
	قدرت بیشینه بالاتنه (kg)	۳۲/۵۳ ± ۵/۴۸	۴۵/۰۴ ± ۷/۲۶*	۴۱/۹۶ ± ۷/۳۹*	۴۱/۷۴ ± ۵/۳۰*
	قدرت بیشینه پایین‌تنه (kg)	۴۶/۰۷ ± ۸/۲۵	۶۴/۸۶ ± ۱۱/۴۳*	۶۲/۹۴ ± ۱۲/۲۵*	۶۲/۶۴ ± ۸/۸۰*
	استقامت عضلانی (n/2min)	۷۸/۳۰ ± ۱۲/۲۸	۱۰۳/۲۰ ± ۱۲/۱۴*	۱۰۴/۱۰ ± ۱۴/۱۵*	۱۰۱/۱۰ ± ۱۱/۸۱*
	توان پایین‌تنه (W)	۱۳۳/۶۵ ± ۱۸/۸۸	۱۳۴/۸۹ ± ۱۲/۸۴*	۱۳۶/۹۴ ± ۳۱/۷۳*	۱۵۰/۷۵ ± ۳۱/۶۵*
همکاران	VO ₂ max (ml/kg/min)	-۰/۱۸ ± ۰/۹۱	۴/۲۶ ± ۱/۳۷	۶/۵۳ ± ۲/۰۶	۶/۶۴ ± ۱/۴۲
	قدرت بیشینه بالاتنه (kg)	-۰/۲۰ ± ۱/۱۸	۷/۲۲ ± ۲/۲۵	۱۰/۰۳ ± ۲/۰۲	۸/۵۸ ± ۳/۹۶
	قدرت بیشینه پایین‌تنه (kg)	-۰/۱۹ ± ۳/۹۱	۹/۴۵ ± ۱/۶۵	۱۵/۶۰ ± ۵/۳۵	۱۷/۳۷ ± ۳/۰۰
	استقامت عضلانی (n/2min)	۰/۴۰ ± ۲/۸۰	۱۸/۰۰ ± ۲/۸۳	۲۲/۶۰ ± ۳/۴۴	۲۲/۲۰ ± ۳/۹۱
	توان پایین‌تنه (W)	۱/۶۰ ± ۴/۹۷	۱۱/۰۴ ± ۱۰/۸۰	۲۳/۹۰ ± ۲۰/۹۵	۳۳/۸۴ ± ۲۰/۵۸

توانبخشی

AST: تمرین هوازی مقاومتی؛ SAT: تمرین مقاومتی هوازی؛ CT: تمرین چرخشی؛ EMS: تحریک الکتریکی عضلانی؛ VO₂max: حداکثر اکسیژن مصرفی؛ *P < ۰/۰۵

این تفاوت نسبت به گروه‌های EMS دیگر معنی‌دار نبود؛ احتمالاً دلیل اختلاف در نتایج به خاطر تفاوت در نوع تمرین ارائه شده در تحقیق حاضر نسبت به تحقیقات دیگر باشد که تمرینات ترکیبی را بدون EMS بررسی کرده‌اند. با توجه به اینکه در تحقیق حاضر تحریک الکتریکی عضلانی نیز ارائه شده بود و ترکیب EMS در کنار تمرینات ارادی، فراخوانی واحدهای حرکتی را به حداکثر می‌رساند، ممکن است سازگاری‌های کسب‌شده در قدرت نسبت به تمرینات معمول بیشتر باشد. در خصوص سازگاری‌های مرتبط با ترتیب تمرین ترکیبی، اوگاساوارا^{۱۵} و همکاران عنوان کرده‌اند که در تمرینات ترکیبی سازگاری‌های سلولی در ارتباط با قسمت پایانی تمرین است و در بررسی سازگاری‌های مرتبط با سنتز پروتئین و مسیر سیگنالینگ mTOR در رت‌های آزمایشگاهی گزارش کردند که اگر تمرینات انتهایی تمرینات هوازی باشند، مکانیسم پاسخ مولکولی mTOR تنظیم منفی می‌شود [۴۷]. با توجه به اینکه هیپرتروفی عضلانی از عوامل مؤثر بر قدرت عضلانی است که در ارتباط با سیگنالینگ مولکولی mTOR است،

15. Ogasawara

چرخشی مشاهده شد؛ همچنین تغییرات قدرت بالاتنه در گروه تمرین مقاومتی هوازی به همراه EMS به صورت معنی‌داری نسبت به گروه تمرین چرخشی بدون ارائه EMS بیشتر بود که نشان‌دهنده نقش اولویت ترتیب تمرینات مقاومتی بالاتنه در ابتدای تمرین است که با نتایج تحقیق شیاتسو و همکاران [۴۶] همسوست. در بررسی قدرت پایین‌تنه به ترتیب بیشترین بهبود قدرت در گروه‌های تمرین مقاومتی هوازی به همراه EMS، تمرین هوازی مقاومتی به همراه EMS، تمرین چرخشی به همراه EMS و تمرین چرخشی بدون ارائه EMS مشاهده شد. همچنین افزایش قدرت در گروه‌های آزمایش به همراه EMS نسبت به گروه بدون ارائه EMS بیشتر بود. ولی تفاوتی بین گروه‌های تمرین به همراه EMS مشاهده نشد که نشان‌دهنده عدم اثر ترتیب تمرین در تمرینات EMS بر عضلات پایین‌تنه است. مورلاستیس و همکاران در متآنالیزی عنوان کردند که 1RM اندام تحتانی زمانی که تمرینات قدرتی قبل از استقامتی انجام می‌شود، نسبت به ترتیب استقامتی قدرتی، بیشتر است که با نتایج تحقیق حاضر همسو نیست؛ اگرچه افزایش قدرت در گروه تمرین با اولویت تمرین مقاومتی در گروه تمرین EMS بیشتر بود، ولی

جدول ۳. نتایج آزمون تحلیل کوواریانس

متغیر	منبع	مجموع مربع	df	میانگین مربع	F	P	نمره اتا
VO ₂ max	کنتراست	۲۹۱/۱۳۳	۴	۷۲/۷۸۳	۴۱/۹۲۴	<۰/۰۰۱*	۰/۷۹۲
	خطا	۷۶/۳۸۲	۳۴	۱/۷۳۶			
قدرت بالاتنه	کنتراست	۸۶۸/۰۲۴	۴	۲۱۷/۰۰۶	۴۱/۳۲۲	<۰/۰۰۱*	۰/۷۹۰
	خطا	۲۳۱/۰۷۱	۳۴	۵/۲۵۲			
قدرت پایین تنه	کنتراست	۲۶۰۰/۱۸۵۱	۴	۶۵۰/۲۱۳	۴۰/۴۹۱	<۰/۰۰۱*	۰/۷۸۶
	خطا	۷۰۶/۵۶۴	۳۴	۱۶/۰۵۸			
استقامت عضلانی	کنتراست	۳۹۹۴/۹۰۴	۴	۹۹۸/۷۳۶	۵۶/۴۲۴	<۰/۰۰۱*	۰/۸۳۷
	خطا	۷۷۴/۸۱۲	۳۴	۱۷/۷۰۰			
توان پایین تنه	کنتراست	۹۷۷۵/۲۰۲	۴	۲۴۴۳/۸۰۰	۷/۱۴۳	<۰/۰۰۱*	۰/۳۹۴
	خطا	۵۰۵۲/۶۹۰	۳۴	۳۴۲/۱۰۷			

*P<۰/۰۵

توانبخشنی

استقامت عضلانی به ترتیب در گروه تمرین هوازی مقاومتی به همراه EMS، تمرین مقاومتی هوازی به همراه EMS، تمرین چرخشی به همراه EMS و تمرین چرخشی به وجود می‌آیند. با وجود اینکه تفاوت بین گروه‌های EMS معنی‌دار نبود، ولی تغییرات گروه تمرین مقاومتی هوازی به همراه EMS به صورت معنی‌دار نسبت به گروه تمرینات چرخشی بدون EMS بیشتر بود. نتایج مطالعه کاراترانتور^{۱۶} و همکارانش نیز پس از هشت هفته تمرین، حاکی از عدم تفاوت معنی‌دار استقامت عضلانی بین دو

در تحقیق حاضر در گروه تمرینات مقاومتی هوازی تغییرات قدرت، بیشتر از گروه هوازی مقاومتی بود که با نتایج تحقیق آگاساوارا متفاوت بود. از جمله دلایل احتمالی تفاوت در نتایج می‌توان به شیوه تمرین اجباری و داوطلبانه در دو تحقیق اشاره کرد؛ به نظر می‌رسد وقتی که تمرینات به صورت داوطلبانه اجرا می‌شوند ترتیب تمرین قدرتی در اول تمرینات ترکیبی موجب سازگاری‌های بیشتر در افزایش قدرت می‌شود.

در بررسی استقامت عضلانی که با آزمون ۲ دقیقه زانولند درجا اندازه‌گیری شد نیز نتایج نشان داد که بیشترین تغییرات

16. Karatrantou

جدول ۴. نتایج آزمون تعقیبی بونفرونی

گروه ۱	گروه ۲	VO ₂ max	قدرت بالاتنه	قدرت پایین تنه	استقامت عضلانی	توان پایین تنه
SAT+EMS	SAT+EMS	۱/۰۰۰	۰/۱۰۴	۱/۰۰۰	۱/۰۰۰	۱/۰۰۰
CT+EMS	CT+EMS	۱/۰۰۰	۱/۰۰۰	۱/۰۰۰	۱/۰۰۰	۱/۰۰۰
AST+EMS	CT	<۰/۰۰۱*	۰/۴۶۹	<۰/۰۰۱*	۰/۲۶۴	۰/۱۰۲
	کنترل	<۰/۰۰۱*	<۰/۰۰۱*	<۰/۰۰۱*	<۰/۰۰۱*	۰/۰۰۳*
CT+EMS	CT+EMS	۱/۰۰۰	۰/۳۲۵	۰/۰۷۴	۱/۰۰۰	۱/۰۰۰
SAT+EMS	CT	<۰/۰۰۱*	<۰/۰۰۱*	<۰/۰۰۱*	۰/۰۰۵*	۰/۰۷۰
	کنترل	<۰/۰۰۱*	<۰/۰۰۱*	<۰/۰۰۱*	<۰/۰۰۱*	۰/۰۰۳*
CT+EMS	CT	۰/۰۰۳*	۰/۱۹۲	۰/۰۳۳*	۰/۱۳۹	۰/۰۷۳
	کنترل	<۰/۰۰۱*	<۰/۰۰۱*	<۰/۰۰۱*	<۰/۰۰۱*	۰/۰۰۳*
CT	کنترل	<۰/۰۰۱*	<۰/۰۰۱*	<۰/۰۰۱*	<۰/۰۰۱*	۱/۰۰۰

*P<۰/۰۵

توانبخشنی

حاضر از سالمندان جوان سالم استفاده شد که هیچ‌گونه بیماری حاد یا مزمن نداشتند. با توجه به اینکه با افزایش سن سالمندان و در طبقات پیرتر ضعف عضلانی و احتمال بیماری‌های مزمن بیشتر است، ممکن است نتایج تحقیق حاضر قابل تعمیم به طبقات پیرتر مانند سالمندان میانسال و کهنسال نباشند که از محدودیت‌های تحقیق حاضر است.

ملاحظات اخلاقی

پیروی از اصول اخلاق پژوهش

این مقاله با کد اخلاق EE/98.24.3.60529/ssu.ac.ir به ثبت رسیده است. برای رعایت ملاحظات اخلاقی در این پژوهش، تمامی آزمودنی‌ها به صورت داوطلبانه و بعد از ارائه رضایت‌نامه کتبی در پژوهش شرکت کردند و در هر مرحله‌ای از پژوهش می‌توانستند آن را ترک کنند. به آن‌ها اطمینان داده شد که داده‌های جمع‌آوری شده از آن‌ها به صورت گروهی تحلیل شده و در اختیار شخص ثالثی قرار داده نخواهد شد و هیچ هزینه‌ای بابت برنامه تمرینی از آن‌ها گرفته نشد.

حامی مالی

مقاله حاضر بخشی از رساله دکتری نویسنده اول در دانشکده تربیت‌بدنی، دانشگاه شهید چمران اهواز ثبت شده است.

مشارکت نویسندگان

مفهوم‌سازی: مهری درخشان‌نژاد، مسعود نیکبخت، محسن قنبرزاده و روح‌الله رنجبر؛ تحقیق و بررسی: مهری درخشان‌نژاد و مسعود نیکبخت؛ ویراستاری و نهایی‌سازی نوشته: مهری درخشان‌نژاد.

تعارض منافع

بنابر اظهار نویسندگان این مقاله تعارض منافع ندارد.

گروه با ترتیب تمرین متفاوت بود [۴۵] که تا حدودی با نتایج تحقیق حاضر هم‌خوانی داشت؛ در تحقیق حاضر اگرچه تفاوتی بین دو گروه تمرین هوازی مقاومتی و مقاومتی هوازی مشاهده نشد، ولی در مقایسه با گروه ترکیبی بدون EMS نتایج حاکی از اثربخشی تمرینات مقاومتی در ابتدای تمرین ترکیبی است.

در بررسی اثر تمرین ترکیبی بر توان پایین‌تنه پس از دوازده هفته تمرینات ترکیبی به همراه EMS افزایش معنی‌دار در توان عضلات پایین‌تنه زنان سالمند نسبت به گروه کنترل بدون تمرین مشاهده شد. ولی در گروه تمرین ترکیبی بدون EMS تفاوت معنی‌دار نسبت به گروه کنترل مشاهده نشد؛ ویلهلم و همکاران در تحقیقی که به منظور اثر ترتیب تمرین بر مردان سالمند انجام داده بودند، پس از دوازده هفته تمرینات ترکیبی هم‌زمان هوازی و توانی شبه‌قدرتی، با وجود اینکه افزایش معنی‌داری در حداکثر توان در هر دو گروه مشاهده کردند، اما تفاوت معنی‌داری بین دو گروه تمرین گزارش نکردند [۱۹]. این در حالی بود که در گروه تمرین ترکیبی بدون EMS تفاوتی در توان عضلانی نسبت به گروه کنترل مشاهده نشد. در تحقیق حاضر در گروه تمرینات ترکیبی به همراه EMS با وجود اینکه مداخله تمرینی با زمان کمتر از تحقیق ویلهلم بود، ولی افزایش توان پایین‌تنه مشاهده شد که نشان‌دهنده اثربخشی بیشتر تمرینات EMS بر توان عضلانی نسبت به تمرینات ترکیبی معمول است. چاتارا و همکاران نیز در تحقیقی که به بررسی اثر ترتیب تمرین بر توان پرشی ورزشکاران جوان پرداختند، گزارش کردند که ترتیب تمرین اثر معنی‌داری بر توان عضلانی ندارد [۴۸] که با نتایج تحقیق حاضر هم‌خوانی دارد.

نتیجه‌گیری

در مجموع نتایج تحقیق حاضر نشان داد که تمرینات ورزشی ترکیبی یک روش مؤثر در افزایش عملکرد جسمانی زنان سالمند است؛ همچنین مداخله EMS به همراه تمرینات ترکیبی موجب اثربخشی بهتر این تمرینات به‌تنهایی شد؛ بنابراین پیشنهاد می‌شود که برای ارتقای سطح عملکرد جسمانی سالمندان از این سبک تمرینات استفاده شود. در بررسی اثر ترتیب تمرین نیز نتایج نشان داد اگرچه تفاوت معنی‌داری بین گروه‌های ترکیبی به همراه EMS وجود نداشت، اما ترتیب تمرین EMS با اولویت تمرین مقاومتی اثر بهتری بر کسب قدرت بیشینه عضلات بالاتنه و استقامت عضلانی داشت. همچنین برای بهبود توان عضلات پایین‌تنه نیاز به مداخلات EMS در کنار تمرینات ترکیبی است. با توجه به اینکه نتایج تحقیق حاضر حاکی از افزایش عملکرد حرکتی و توان عضلانی در زنان سالمند است می‌توان این سبک تمرینات EMS را برای افزایش توان عضلانی و رفع کاهش ناتوانی‌های مرتبط با سن در افراد سالمند استفاده کرد.

یکی از محدودیت‌های تحقیق حاضر محدودیت در فضای تمرین و استفاده از حجم نمونه پایین بود. همچنین در تحقیق

References

- [1] Dana A, Fallah Z, Moradi J, Ghalavand A. [The effect of cognitive and aerobic training on cognitive and motor function, and brain-derived neurotrophic factors in elderly men (Persian)]. *Journal of Development and Motor Learning*. 2019; 10(4):537-52. https://jmlm.ut.ac.ir/article_70246_en.html?lang=fa
- [2] Kiani P, Mottaghi M, Ghoddoosy A. [Investigating the relationship between financial abuse and mental health among alderly population in Shahre-Kord (Persian)]. *Salmand: Iranian Journal of Ageing*. 2019; 14(2):212-23. <http://salmandj.uswr.ac.ir/article-1-1447-en.html>
- [3] Ghalavand A, Shakerian S, Zakerkish M, Shahbazian H, Monazam NA. [The Effect of resistance training on anthropometric characteristics and lipid profile in men with type 2 diabetes referred to Golestan Hospital (Persian)]. *Jundishapur Scientific Medical Journal*. 2015; 13(6):709-20. http://jsmj.ajums.ac.ir/jentashapir/index.php/jentashapir/article/view/article_52171.html?lang=en
- [4] Lakka HM, Lakka TA, Tuomilehto J, Salonen JT. Abdominal obesity is associated with increased risk of acute coronary events in men. *European Heart Journal*. 2002; 23(9):706-13. [DOI:10.1053/ehj.2001.2889] [PMID]
- [5] Karami Matin B, Kazemi Karyani A, Soltani S, Rezaei S, Soofi M. Predictors of healthcare expenditure: aging, disability or development? *Archives of Rehabilitation*. 2019; 20(4):310-21. [DOI:10.32598/rj.20.4.310]
- [6] Kingston A, Robinson L, Booth H, Knapp M, Jagger C, Project M. Projections of multi-morbidity in the older population in England to 2035: Estimates from the Population Ageing and Care Simulation (PACSim) model. *Age and Ageing*. 2018; 47(3):374-80. [DOI:10.1093/ageing/afx201] [PMID] [PMCID]
- [7] Nik-Tab'e AR, Shahi-Moridi D. [Risk factors of the hip fractures in elderly patients (Persian)]. *Archives of Rehabilitation*. 2001; 2(3):39-46. <http://rehabilitationj.uswr.ac.ir/article-1-549-en.html>
- [8] Dixon JB. The effect of obesity on health outcomes. *Molecular and Cellular Endocrinology*. 2010; 316(2):104-8. [DOI:10.1016/j.mce.2009.07.008] [PMID]
- [9] Khodadadi H, Haghighi AH, HosseiniKakhk AR. The effect of two programs stretch-balance training with different timings on some of the physical performances in older men. *Journal of Paramedical Science and Rehabilitation* 2018; 7(3):26-36. http://jpsr.mums.ac.ir/article_11378.html
- [10] Radak Z, Torma F, Berkes I, Goto S, Mimura T, Posa A, et al. Exercise effects on physiological function during aging. *Free Radical Biology and Medicine*. 2019; 132:33-41. [DOI:10.1016/j.freeradbiomed.2018.10.444] [PMID]
- [11] Rafati AG, Eslami M, Mirdar S. The effect of a nine-weeks training program on the center of pressure indicators with open and closed eyes condition in the elderly male. *Archives of Rehabilitation*. 2018; 19(1):44-53. [DOI:10.21859/jrehab.19.1.44]
- [12] Hupin D, Roche F, Gremeaux V, Chatard JC, Oriol M, Gaspoz JM, et al. Even a low-dose of moderate-to-vigorous physical activity reduces mortality by 22% in adults aged ≥ 60 years: A systematic review and meta-analysis. *British Journal of Sports Medicine*. 2015; 49(19):1262-7. [DOI:10.1136/bjsports-2014-094306] [PMID]
- [13] Kemmler W, Schliffka R, Mayhew JL, von Stengel S. Effects of whole-body electromyostimulation on resting metabolic rate, body composition, and maximum strength in postmenopausal women: The training and electrostimulation trial. *The Journal of Strength & Conditioning Research*. 2010; 24(7):1880-7. [DOI:10.1519/JSC.0b013e3181ddaeec] [PMID]
- [14] Wood RH, Reyes R, Welsch MA, Favalaro-Sabatier J, Sabatier M, Lee CM, et al. Concurrent cardiovascular and resistance training in healthy older adults. *Medicine & Science in Sports & Exercise*. 2001; 33(10):1751-8. [DOI:10.1097/00005768-200110000-00021] [PMID]
- [15] Taylor D. Physical activity is medicine for older adults. *Postgraduate Medical Journal*. 2014; 90(1059):26-32. [DOI:10.1136/postgradmedj-2012-131366] [PMID] [PMCID]
- [16] Cadore EL, Izquierdo M, Pinto SS, Alberton CL, Pinto RS, Baroni BM, et al. Neuromuscular adaptations to concurrent training in the elderly: effects of intrasession exercise sequence. *Age*. 2013; 35(3):891-903. [DOI:10.1007/s11357-012-9405-y] [PMID] [PMCID]
- [17] Schumann M, Walker S, Izquierdo M, Newton RU, Kraemer WJ, Häkkinen K. The order effect of combined endurance and strength loadings on force and hormone responses: effects of prolonged training. *European Journal of Applied Physiology*. 2014; 114:867-80. [DOI:10.1007/s00421-013-2813-6] [PMID]
- [18] Bagheri L, Faramarzi M, Ebrahim B, Mardanpour-Shahrekordi Z. [A comparison of the effects of three types of combined training on testosterone and cortisol concentration and muscular strength in elderly women (Persian)]. *Journal of Sport Biosciences*. 2016; 8(1):123-41. https://jsb.ut.ac.ir/article_58247.html?lang=en
- [19] Wilhelm EN, Rech A, Minozzo F, Botton CE, Radaelli R, Teixeira BC, et al. Concurrent strength and endurance training exercise sequence does not affect neuromuscular adaptations in older men. *Experimental Gerontology*. 2014; 60:207-14. [DOI:10.1016/j.exger.2014.11.007] [PMID]
- [20] Salehi E, Banitalebi E, Faramarzi M, Bagheri L, Mardanpour-Shahrekordi Z. [Effects of 8-weeks combined training (strength and endurance) on serum levels of AGRP, GH and changes in appetite and body mass in postmenopausal women (Persian)]. *Iranian Journal of Obstetrics, Gynecology and Infertility*. 2016; 19(28):1-9. https://ijogi.mums.ac.ir/article_7883.html?lang=en
- [21] Eddens L, van Someren K, Howatson G. The role of intra-session exercise sequence in the interference effect: A systematic review with meta-analysis. *Sports Medicine*. 2018; 48(1):177-88. [DOI:10.1007/s40279-017-0784-1] [PMID] [PMCID]
- [22] Murlasits Z, Kneffel Z, Thalib L. The physiological effects of concurrent strength and endurance training sequence: A systematic review and meta-analysis. *Journal of Sports Sciences*. 2018; 36(11):1212-9. [DOI:10.1080/02640414.2017.1364405] [PMID]
- [23] Davis-Miller TL. The effect of exercise order on body fat loss during concurrent training. [MS. thesis]. Florida: University of South Florida; 2016. <https://scholarcommons.usf.edu/etd/6217/>
- [24] Chtara M, Chamari K, Chaouachi M, Chaouachi A, Koubaa D, Feki Y, et al. Effects of intra-session concurrent endurance and strength training sequence on aerobic performance and ca-

- capacity. *British Journal of Sports Medicine*. 2005; 39(8):555-60. [DOI:10.1136/bjism.2004.015248] [PMID] [PMCID]
- [25] Mustafa Ö, Özgür B. Effects of whole-body electromyostimulation with and without voluntary muscular contractions on total and regional fat mass of women. *Archives of Applied Science Research*. 2016; 8(3):75-9. <https://www.scholarsresearchlibrary.com/abstract/>
- [26] Kemmler W, Weissenfels A, Willert S, Shojaa M, von Stengel S, Filipovic A, et al. Efficacy and safety of low frequency Whole-Body Electromyostimulation (WB-EMS) to improve health-related outcomes in non-athletic adults: A systematic review. *Frontiers in physiology*. 2018; 9. [DOI:10.3389/fphys.2018.00573] [PMID] [PMCID]
- [27] Iwasaki T, Shiba N, Matsuse H, Nago T, Umezu Y, Tagawa Y, et al. Improvement in knee extension strength through training by means of combined electrical stimulation and voluntary muscle contraction. *The Tohoku Journal of Experimental Medicine*. 2006; 209(1):33-40. [DOI:10.1620/tjem.209.33] [PMID]
- [28] Gondin J, Guette M, Ballay Y, Martin A. Electromyostimulation training effects on neural drive and muscle architecture. *Medicine & Science in Sports & Exercise*. 2005; 37(8):1291-9. [DOI:10.1249/01.mss.0000175090.49048.41] [PMID]
- [29] Maffiuletti N, Gometti C, Amiridis I, Martin A, Pousson M, Chatard JC. The effects of electromyostimulation training and basketball practice on muscle strength and jumping ability. *International Journal of Sports Medicine*. 2000; 21(06):437-43. [DOI:10.1055/s-2000-3837] [PMID]
- [30] Biyikli T. Comparison of physical parameters of the individuals who have received NASM-OPT Model & EMS training in combination with traditional fitness training applications regularly as Personal Training (PT) for 20 weeks. *Journal of Education and Training Studies*. 2018; 6(12):158-71. [DOI:10.11114/jets.v6i12.3673]
- [31] Robles-Gonzalez L, Jurado-Fasoli L, Ruiz JR, Gutiérrez A. Functional exercise training and undulating periodization enhances the effect of whole-body electromyostimulation training on running performance. *Frontiers in Physiology*. 2018; 9:720. [DOI:10.3389/fphys.2018.00720]
- [32] Schenk S, Fritzsche D, van Buuren F. Electro-myostimulation of skeletal muscles improves physical capacity of patients with chronic congestive heart failure. *The Thoracic and Cardiovascular Surgeon*. 2011; 59(S 01):V218. [DOI:10.1055/s-0030-126296]
- [33] Amaro-Gahete FJ, Jurado-Fasoli L, Espuch-Oliver A, Robles-Gonzalez L, Navarro-Lomas G, de Haro T, et al. Exercise training as S-Klotho protein stimulator in sedentary healthy adults: Rationale, design, and methodology. *Contemporary Clinical Trials Communications*. 2018; 11:10-9. [DOI:10.1016/j.conctc.2018.05.013] [PMID] [PMCID]
- [34] Mardanpour-Shahrekordi Z, Banitalebi E, Faramarzi M, Bagheri L, Mardanpour-Shahrekordi E. [The effect of sequence order of combined training (resistance and endurance) on strength, aerobic capacity and body composition in older women: a randomized clinical trial (Persian)]. *Journal of Shahrekord University of Medical Sciences*. 2015;17(3):1-12. <http://journal.skums.ac.ir/article-1-2054-en.html>
- [35] Hoffman J. Norms for fitness, performance, and health. Champaign: Human Kinetics; 2006. <https://books.google.com/books?hl=en&lr=&id=3TzwC4likFoC&oi=fnd&pg=PR9&dq>
- [36] Ghalavand A, Motamedi P, Delaramnasab M, Khodadoust M, Mahmoodkhani Koosskaki R. [Cardiometabolic effects of urtica dioica in type II diabetes (Persian)]. *Journal of Diabetes Nursing*. 2017; 5(1):59-69. <http://jdn.zbmu.ac.ir/article-1-156-en.html>
- [37] Róžańska-Kirschke A, Kocur P, Wilk M, Dylewicz P. The Fullerton Fitness Test as an index of fitness in the elderly. *Medical Rehabilitation*. 2006; 10(2):9-16. <http://31.186.81.235:8080/api/files/view/65309.pdf>
- [38] Signorile JF, Sandler D, Kempner L, Stanziano D, Ma F, Roos BA. The ramp power test: A power assessment during a functional task for older individuals. *The Journals of Gerontology Series A: Biological Sciences and Medical Sciences*. 2007; 62(11):1266-73. [DOI:10.1093/gerona/62.11.1266] [PMID]
- [39] Faramarzi M, Baqeri L, Banitalebi E, Azamian A, Jazi A, Mardanpour SZ. The effect of sequence order of combined training (Strength and Endurance) on some of the factors leading to sarcopenia in older women. Paper presented at: 8th international congress on physical education and sport sciences. 19-20 February 2015, Tehran, Iran.
- [40] Deschenes MR. Effects of aging on muscle fibre type and size. *Sports Medicine*. 2004; 34(12):809-24. [DOI:10.2165/00007256-200434120-00002] [PMID]
- [41] Verdijk LB, Koopman R, Schaart G, Meijer K, Savelberg HH, van Loon LJ. Satellite cell content is specifically reduced in type II skeletal muscle fibers in the elderly. *American Journal of Physiology-Endocrinology and Metabolism*. 2007; 292(1):E151-E157. [DOI:10.1152/ajpendo.00278.2006] [PMID]
- [42] Filipovic A, Kleinöder H, Dörmann U, Mester J. Electromyostimulation-a systematic review of the influence of training regimens and stimulation parameters on effectiveness in electromyostimulation training of selected strength parameters. *The Journal of Strength & Conditioning Research*. 2011; 25(11):3218-38. [DOI:10.1519/JSC.0b013e318212e3ce] [PMID]
- [43] Borg E, Kaijser L. A comparison between three rating scales for perceived exertion and two different work tests. *Scandinavian Journal of Medicine & Science in Sports*. 2006; 16(1):57-69. [DOI:10.1111/j.1600-0838.2005.00448.x] [PMID]
- [44] Kemmler W, Weissenfels A, Bebenek M, Fröhlich M, Kleinöder H, Kohl M, et al. Effects of whole-body electromyostimulation on low back pain in people with chronic unspecific dorsal pain: A meta-analysis of individual patient data from randomized controlled WB-EMS trials. *Evidence-Based Complementary and Alternative Medicine*. 2017; 2017. [DOI:10.1155/2017/8480429] [PMID] [PMCID]
- [45] Karatrantou K, Gerodimos V, Häkkinen K, Zafeiridis A. Health-promoting effects of serial vs. integrated combined strength and aerobic training. *International Journal of Sports Medicine*. 2017; 38(01):55-64. [DOI:10.1055/s-0042-116495] [PMID]
- [46] Shiotsu Y, Yanagita M. Intervention study on the exercise order of combined aerobic & resistance training in the elderly. *Journal of Sports Science*. 2017; 5:322-31. [DOI:10.17265/2332-7839/2017.06.004]

- [47] Ogasawara R, Sato K, Matsutani K, Nakazato K, Fujita S. The order of concurrent endurance and resistance exercise modifies mTOR signaling and protein synthesis in rat skeletal muscle. *American Journal of Physiology-Endocrinology and Metabolism*. 2014; 306(10):E1155-E62. [DOI:10.1152/ajpendo.00647.2013] [PMID]
- [48] Chtara M, Chaouachi A, Levin GT, Chaouachi M, Chamari K, Amri M, et al. Effect of concurrent endurance and circuit resistance training sequence on muscular strength and power development. *The Journal of Strength & Conditioning Research*. 2008; 22(4):1037-45. [DOI:10.1519/JSC.0b013e31816a4419]